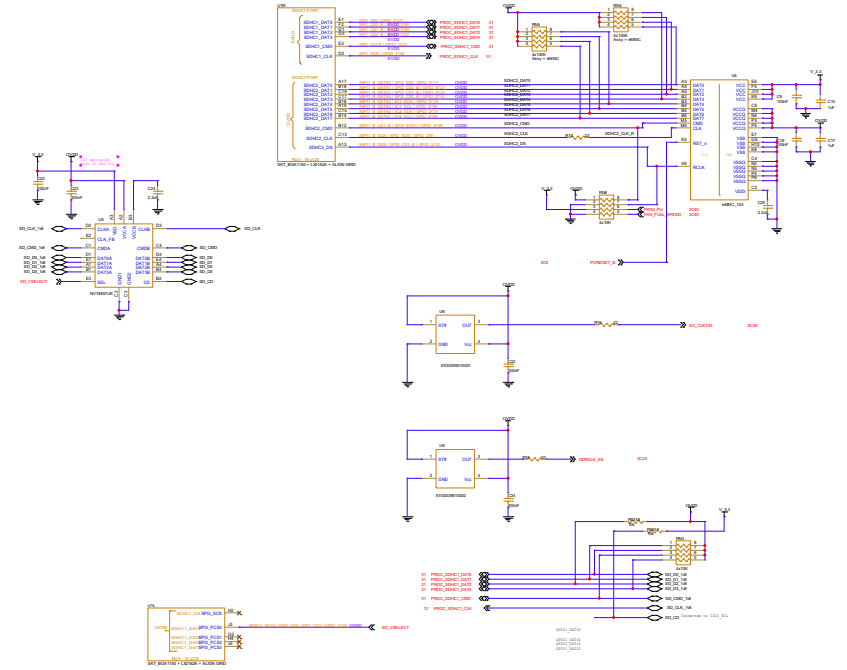
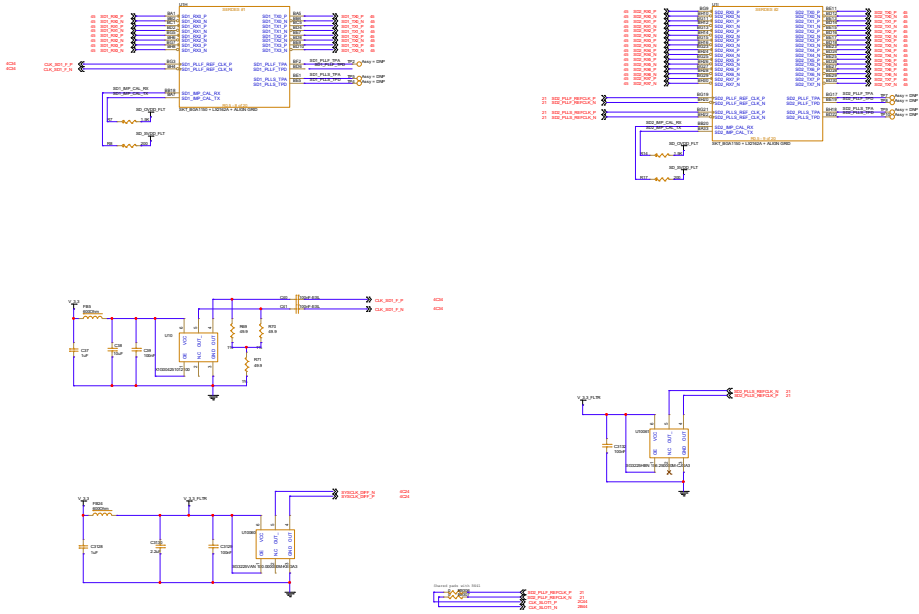
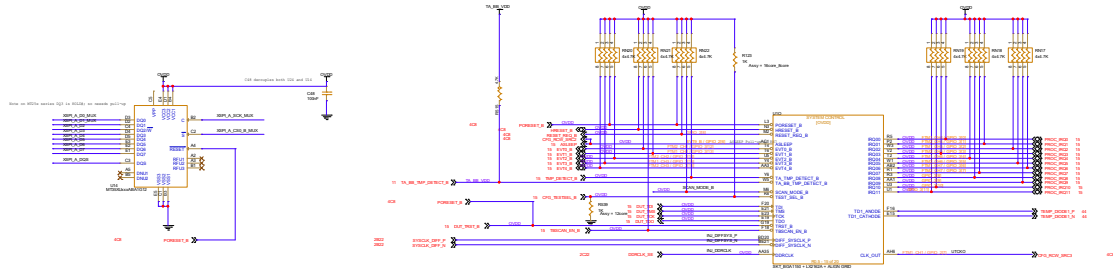
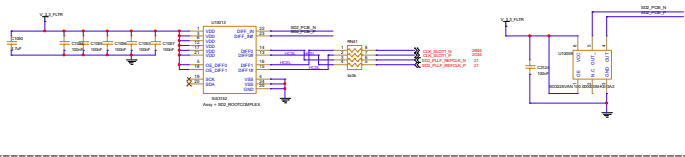


SerDes Block

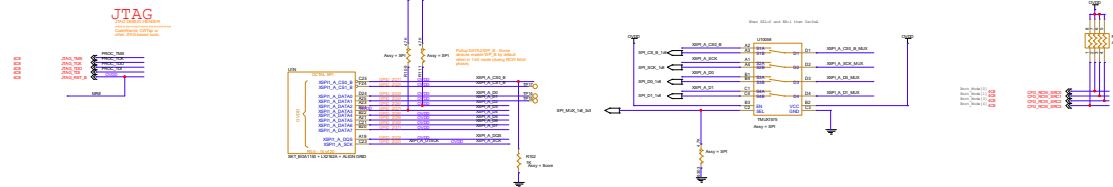


Boot SPI CS0/CS1 switch circuitry

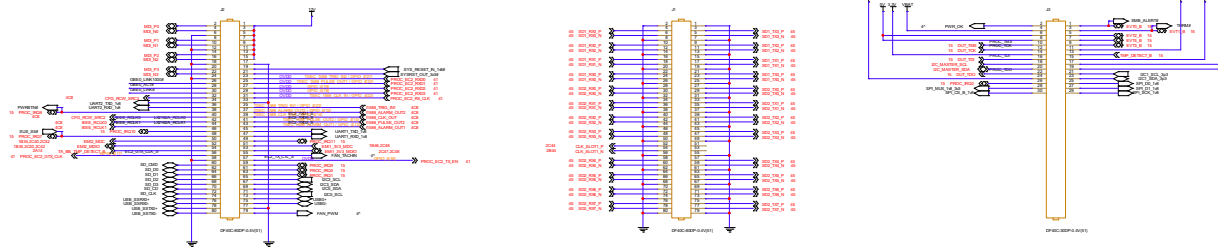
Not assembled by default



Reset logic



SOM Interface Connectors



AR8035 Ethernet Transceiver PHY

