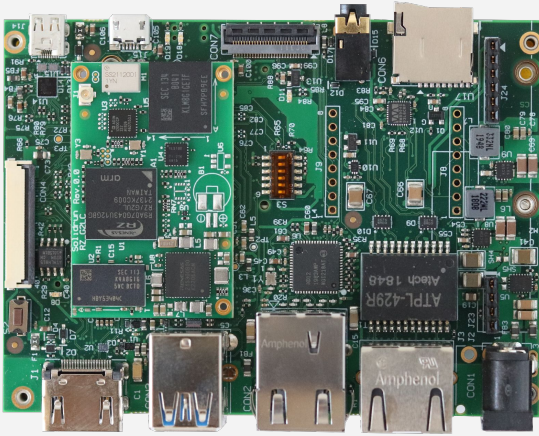


# HummingBoard RZ/G2UL SBC

Solo Arm Cortex-A55 cores, up to 1GHz

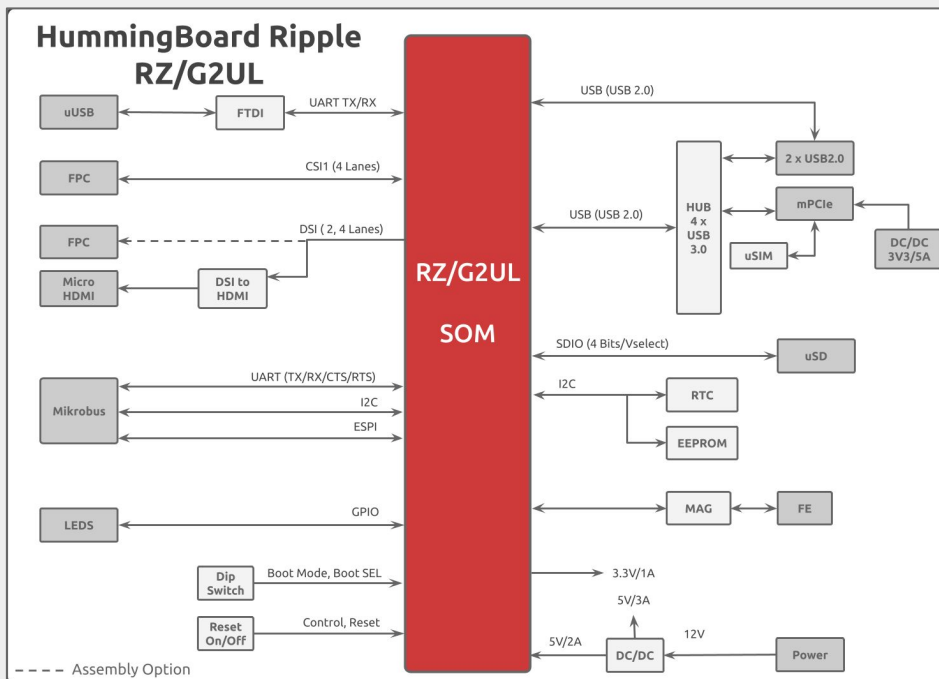


- SoC: [Renesas RZ/G2UL](#) based Solo Core Cortex A55, up to 1GHz (With Arm M33)
- Memory: Up to 2GB DDR4
- Storage: Starting from 8GB eMMC
- Temperature: Commercial (0C to 70C), Industrial (-40C to 85C)
- OS: Linux



## HummingBoard RZ/G2UL SBC

<b>Processor</b>	Renesas RZ/G2UL Solo core Arm Cortex A55 Up to 1GHz (with Arm M33)
<b>Memory &amp; Storage</b>	Up to 2GB DDR4 Starting from 8GB eMMC MicroSD
<b>MIPI-CSI camera (Optional)</b>	Yes
<b>I/Os</b>	2 x USB 2.0 1 x MIPI-CSI
<b>Networking</b>	1 x Ethernet RJ45 100Mb 1 x 802.11 a/b/g/n/ WiFi and Bluetooth 5.2 BR/EDR/LE (2.4GHz)
<b>Misc.</b>	1 x Reset button 1 x Configurable push button 3 x LED indicators RTC
<b>Development and Debug interfaces</b>	Micro USB
<b>Power</b>	7V - 36V
<b>Expansion card I/Os</b>	mikroBUS header Mini PCIe with SIM holder
<b>Temperature</b>	Commercial: 0°C to 70°C Industrial: -40°C to 85°C
<b>Dimensions</b>	PCBA: 100 x 70mm Enclosure : 120 x 80 x 30mm
<b>Enclosure</b>	Extruded aluminum



## Ordering Information

Available on Shop	Description

- To choose your ideal configuration see our [Product Configurator Tool](#)

For more information about the HummingBoard RZ/G2UL SBC Software/Hardware visit our:

Developer Center