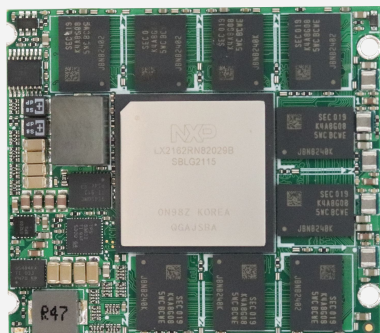


LX2-Lite SOM

8/12/16 x Arm Cortex-A72, up to 2GHz

NXP LX2162A Processor System on Module



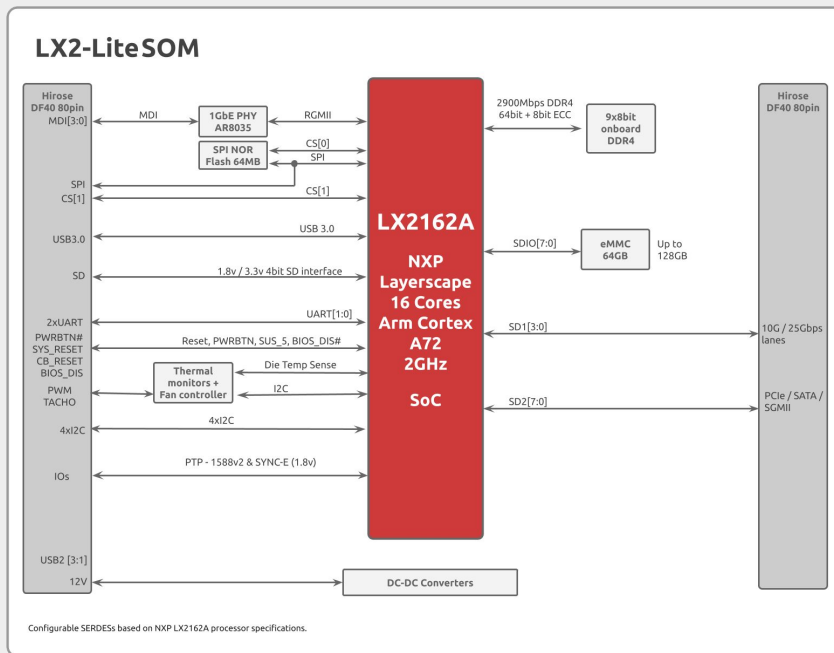
- Up to 100GbE
- Up to 16GB DDR4 with ECC
- Ideal for space constrained designs at only 58 x 48 mm



		Layerscape LX2082A SOM	Layerscape LX2122A SOM	Layerscape LX2162A SOM
CPU Details	CPU Name	NXP Layerscape LX2082A	NXP Layerscape LX2122A	NXP Layerscape LX2162A
	CPU Type	8 x Cortex A72	12 x Cortex A72	16 x Cortex A72
	CPU Speed	2.0GHz Commercial	2.0GHz Commercial	2.0GHz Commercial
RAM	Memory & Storage	Single channel Up to 16GB DDR4*	Single channel Up to 16GB DDR4*	Single channel Up to 16GB DDR4*
	Internal Storage	8GB eMMC 8Mb SPI	8GB eMMC 8Mb SPI	8GB eMMC 8Mb SPI
	External Storage Support	SD PCIe-SSD	SD PCIe-SSD	SD PCIe-SSD
Networking	Ethernet	4 x 25 GbE or 1 x 100 GbE 4 x 10GbE w/ built in PHY 8 x 1GbE** Sync-E, 1588-V2	4 x 25 GbE or 1 x 100 GbE 4 x 10GbE w/ built in PHY 8 x 1GbE** Sync-E, 1588-V2	4 x 25 GbE or 1 x 100 GbE 4 x 10GbE w/ built in PHY 8 x 1GbE** Sync-E, 1588-V2
		USB 3.0	1	1
Connectivity	PCIe	8 (Gen 3.0 - 2 controllers)**	8 (Gen 3.0 - 2 controllers)**	8 (Gen 3.0 - 2 controllers)**
	I2C	4	4	4
	UART	2	2	2
	GPIO	✓	✓	✓
	SATA	4 (Gen 3.0)**	4 (Gen 3.0)**	4 (Gen 3.0)**
	SD/MMC	1	1	1
OS Support	JTAG	JTAG Header	JTAG Header	JTAG Header
	Embedded Linux	Linux DPDK UEFI NXP Layerscape Secure Boot	Linux DPDK UEFI NXP Layerscape Secure Boot	Linux DPDK UEFI NXP Layerscape Secure Boot
		Size	55 x 48 mm	55 x 48 mm
Physical	Interface	3 x Hirose DF40 connectors	3 x Hirose DF40 connectors	3 x Hirose DF40 connectors
	Main Voltage	12V	12V	12V
Power	I/O Voltage	3.3V/1.8V	3.3V/1.8V	3.3V/1.8V
	Temperature	Commercial: 0°C to 70°C	Commercial: 0°C to 70°C	Commercial: 0°C to 70°C
Environment	Humidity	Humidity (non-condensing): 10% – 90%	Humidity (non-condensing): 10% – 90%	Humidity (non-condensing): 10% – 90%

(*) Contact us for Dual channel 64GB DDR4 support.

(**) Configurable SD2 SERDESs based on NXP LX2162A processor specifications.



Ordering Information

Available on Shop	
Buy Now	Description
	LX2162A SOM 8GB RAM 8GB eMMC Commercial Temp

- To choose your ideal configuration see our [Product Configurator Tool](#)

Accessories:	
SKU	Description
HS00025K	LX2162A SOM Heatsink
HS00026K	LX2162A SOM Heatsink and fan

For more information about the LX2162 SOM
Software/Hardware visit our:

Developer Center