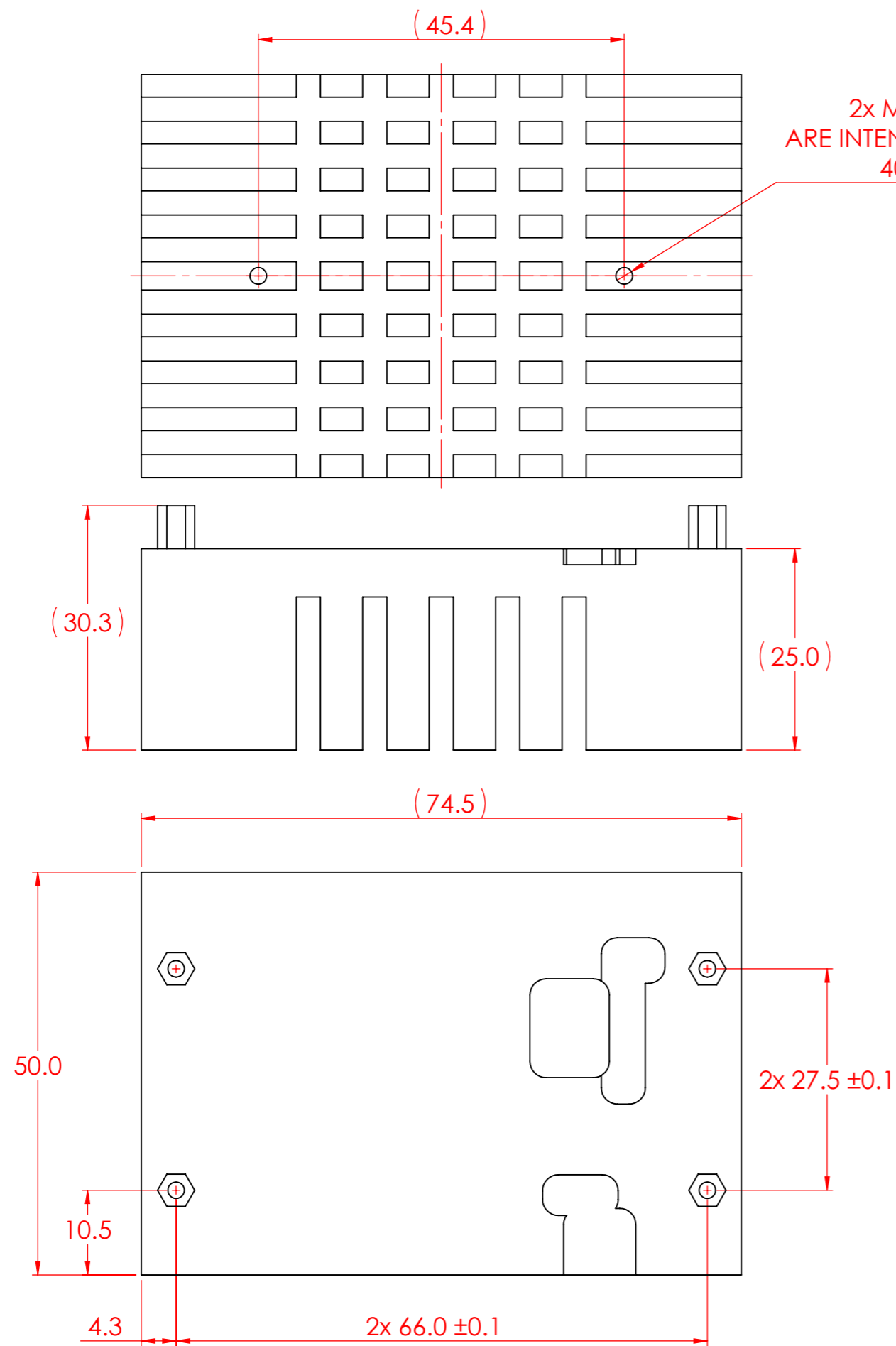
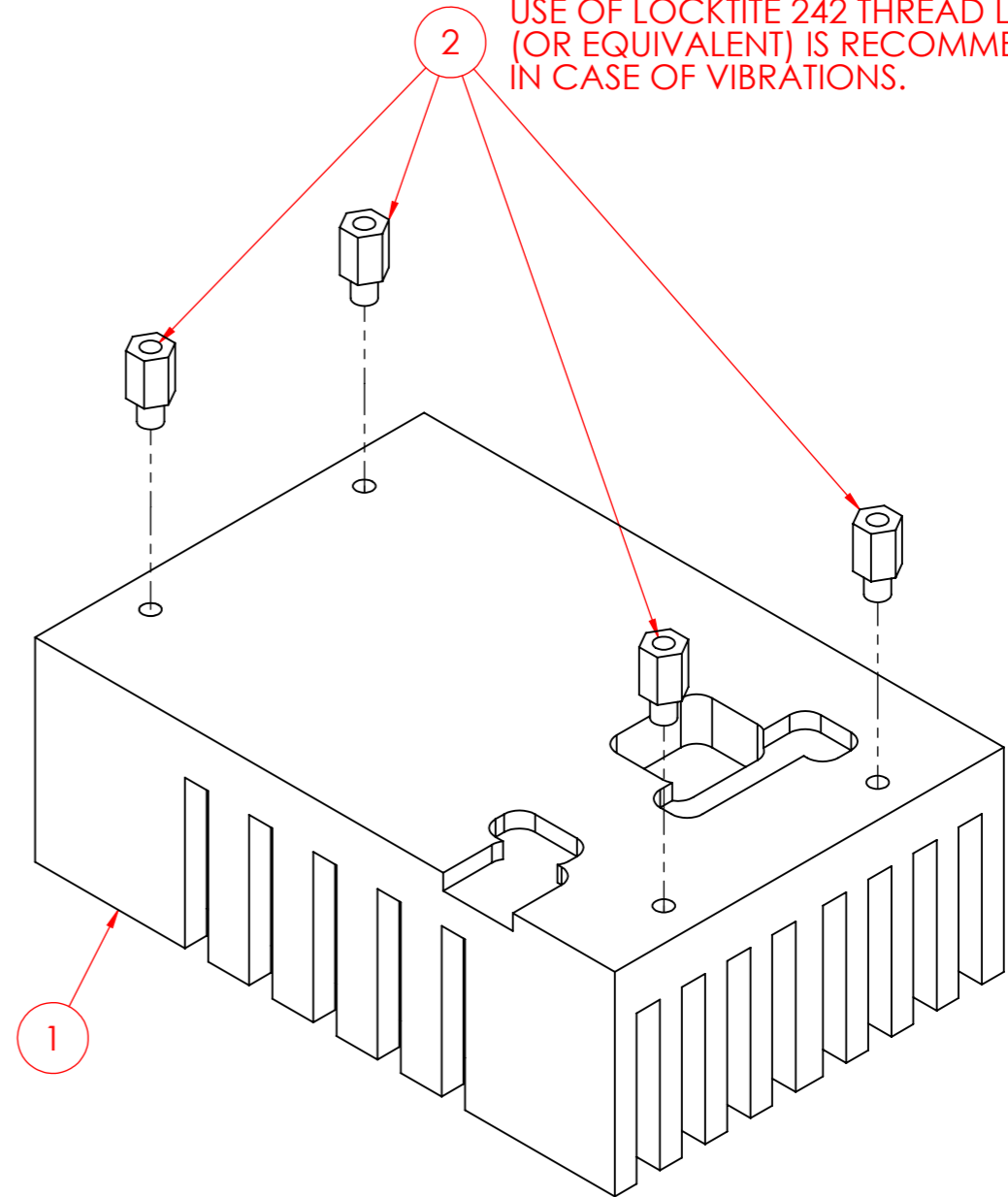


ZONE	REV.	DESCRIPTION	DATE	APPROVED
	01	INITIAL RELEASE	15.05.2023	Y.SH.



2x M2.5 ∇ 5mm
ARE INTENDED TO ATTACH
40x40 FAN

TORQUE
0.35 0.05 [Nm]
USE OF LOCKTITE 242 THREAD LOCKER
(OR EQUIVALENT) IS RECOMMENDED
IN CASE OF VIBRATIONS.



ITEM NO.	PART NUMBER	MANUFACT P.N.	DESCRIPTION	QTY.	NOTES
1	HS00021		ClearFog LX2162A evaluation heatsink	1	
2	MCH00322		STANDOFF M2.5, l=5 mm M-F FOR HEATSINK	4	

		PROJECT: LX2162A SOM				
		UNLESS OTHERWISE SPECIFIED ALL DIM ARE IN mm:				
TITLE		TOLERANCES:		NAME	DATE	SIGN.
SOM STANDALONE HS		LINEAR: ± -	DRAFT	I.B.	7.05.2023	
PART NO.		HOLES: + -	DESIGNED	M.SH.	7.05.2023	
SRX2162S01D16GE064V11C0		B.HOLES: ± -	CHECKED	Y.SH.	7.05.2023	
SCALE: NTS		ANGLES: ± - deg	APPROVED	Y.SH.	7.05.2023	
SHEET 1 OF 1		ROUGHNESS: (NX) NX -				
REV 01	SIZE A3	DIM mm				