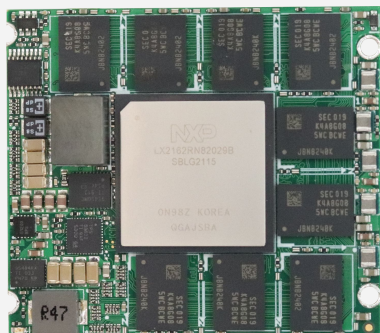


LX2-Lite SOM

8/12/16 x Arm Cortex-A72, up to 2GHz

NXP LX2162A Processor System on Module



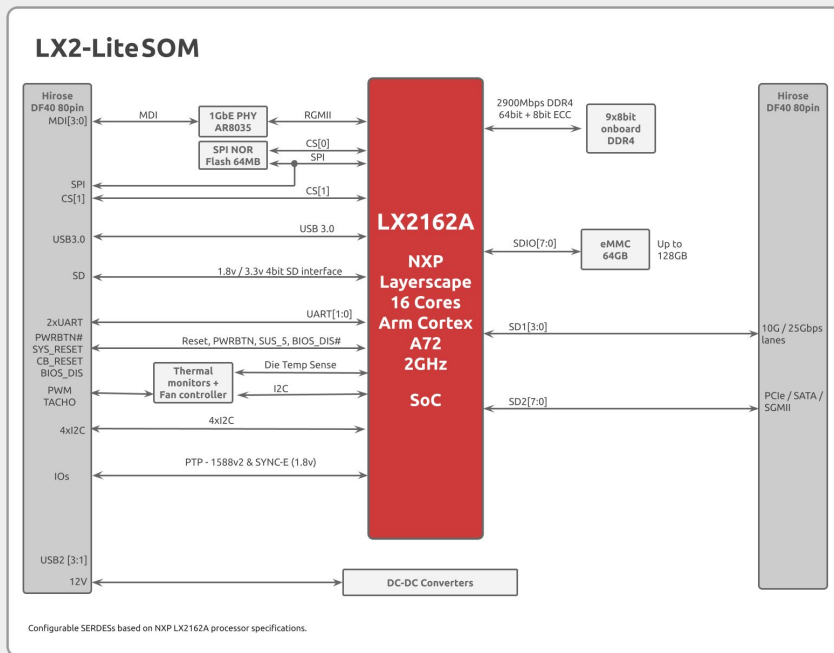
- Up to 100GbE
- Up to 16GB DDR2 with ECC
- Ideal for space constrained designs at only 58 x 48 mm



		Layerscape LX2082A SOM	Layerscape LX2122A SOM	Layerscape LX2162A SOM	
CPU Details	CPU Name	NXP Layerscape LX2082A	NXP Layerscape LX2122A	NXP Layerscape LX2162A	
	CPU Type	8 x Cortex A72	12 x Cortex A72	16 x Cortex A72	
	CPU Speed	2.0GHz Commercial	2.0GHz Commercial	2.0GHz Commercial	
RAM	Memory & Storage	Single channel Up to 16GB DDR2*	Single channel Up to 16GB DDR2*	Single channel Up to 16GB DDR2*	
	Internal Storage	8GB eMMC 8Mb SPI	8GB eMMC 8Mb SPI	8GB eMMC 8Mb SPI	
	External Storage Support	SD PCIe-SSD	SD PCIe-SSD	SD PCIe-SSD	
Networking	Ethernet	4 x 25 GbE or 1 x 100 GbE 4 x 10GbE w/ built in PHY 8 x 1GbE** Sync-E, 1588-V2	4 x 25 GbE or 1 x 100 GbE 4 x 10GbE w/ built in PHY 8 x 1GbE** Sync-E, 1588-V2	4 x 25 GbE or 1 x 100 GbE 4 x 10GbE w/ built in PHY 8 x 1GbE** Sync-E, 1588-V2	
		USB 3.0	1	1	1
Connectivity	PCIe	8 (Gen 3.0 - 2 controllers)**	8 (Gen 3.0 - 2 controllers)**	8 (Gen 3.0 - 2 controllers)**	
	I2C	4	4	4	
	UART	2	2	2	
	GPIO	✓	✓	✓	
	SATA	4 (Gen 3.0)**	4 (Gen 3.0)**	4 (Gen 3.0)**	
	SD/MMC	1	1	1	
OS Support	Embedded Linux	Linux DPDK UEFI NXP Layerscape Secure Boot	Linux DPDK UEFI NXP Layerscape Secure Boot	Linux DPDK UEFI NXP Layerscape Secure Boot	
	Physical	Size Interface	55 x 48 mm 3 x Hirose DF40 connectors	55 x 48 mm 3 x Hirose DF40 connectors	55 x 48 mm 3 x Hirose DF40 connectors
	Power	Main Voltage I/O Voltage	12V 3.3V/1.8V	12V 3.3V/1.8V	12V 3.3V/1.8V
Environment	Temperature	Commercial: 0°C to 70°C	Commercial: 0°C to 70°C	Commercial: 0°C to 70°C	
	Humidity	Humidity (non-condensing): 10% – 90%	Humidity (non-condensing): 10% – 90%	Humidity (non-condensing): 10% – 90%	

(*) Contact us for Dual channel 64GB DDR4 support.

(**) Configurable SD2 SERDESs based on NXP LX2162A processor specifications.



Ordering Information

Available on Shop	
Buy Now	Description
	LX2162A SOM 8GB RAM 8GB eMMC Commercial Temp

- To choose your ideal configuration see our [Product Configurator Tool](#)

Accessories:	
SKU	Description
HS00025K	LX2162A SOM Heatsink
HS00026K	LX2162A SOM Heatsink and fan

For more information about the LX2162 SOM
Software/Hardware visit our:

Developer Center