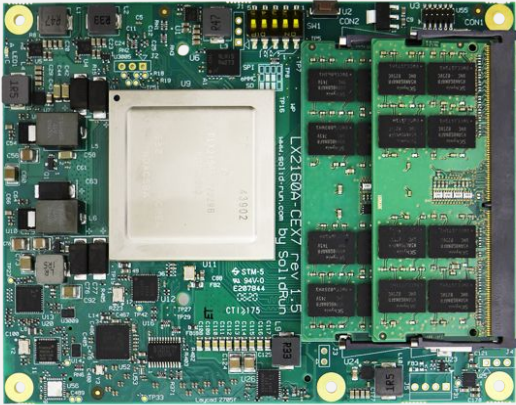


LX2160A COM

COM Express Type 7, 8/12/16 x Arm Cortex-A72,
Up to 2.2GHz

NXP LX2160A Layerscape COM Express Type 7

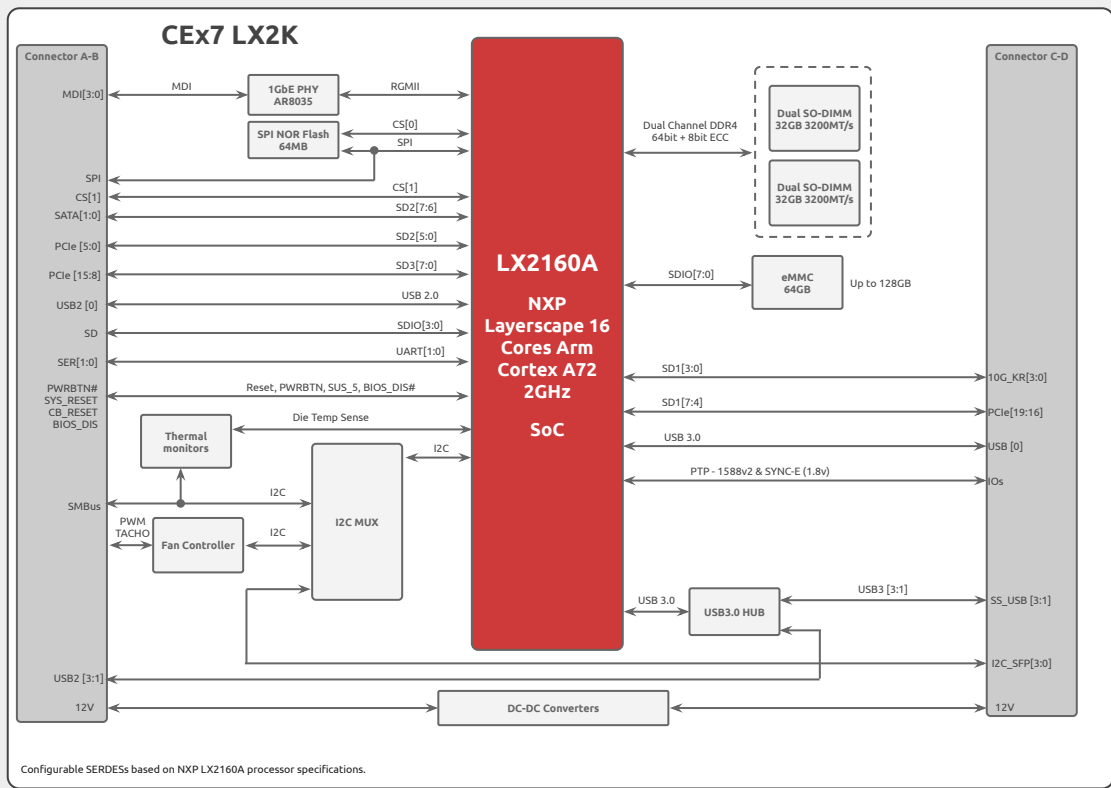


- Up to 100GbE (4 x SFP28)
- Up to 64GB DDR4 64 bit dual-channel
- Full virtualization support



		LX2160A	LX2120A	LX2080A
CPU Details	CPU Name	NXP Layerscape LX2160A	NXP Layerscape LX2120A	NXP Layerscape LX2080A
	CPU Type	16 x Cortex A72	12 x Cortex A72	8 x Cortex A72
	CPU Speed	2.0GHz Commercial	2.0GHz Commercial	2.0GHz Commercial
RAM	Memory & Storage	Dual channel Up to 64GB DDR4	Dual channel Up to 64GB DDR4	Dual channel Up to 64GB DDR4
	Internal Storage	64GB eMMC 64MB SPI	64GB eMMC 64MB SPI	64GB eMMC 64MB SPI
	External Storage Support	NOR-Flash SD PCIe-SSD	NOR-Flash SD PCIe-SSD	NOR-Flash SD PCIe-SSD
Networking	Ethernet	4 x 25 GbE or 1 x 100 GbE* 4 x 10GbE w/built in PHY Sync-E, 1588-V2	4 x 25 GbE or 4 x 10GbE w/built in PHY Sync-E, 1588-V2	4 x 25 GbE or 4 x 10GbE w/built in PHY Sync-E, 1588-V2
Connectivity	USB 3.0	4	4	4
	PCIe	18 (Gen 3.0 - 5 controllers)*	18 (Gen 3.0 - 5 controllers)*	18 (Gen 3.0 - 5 controllers)*
	I2C	6	6	6
	SPI	1	1	1
	UART	2	2	2
	GPIO	✓	✓	✓
	SATA	2 (Gen 3.0)*	2 (Gen 3.0)*	2 (Gen 3.0)*
	SD/MMC	1	1	1
JTAG	JTAG Header	JTAG Header	JTAG Header	
OS Support	Embedded Linux	Linux DPDK UEFI NXP Layerscape Secure Boot	Linux DPDK UEFI NXP Layerscape Secure Boot	Linux DPDK UEFI NXP Layerscape Secure Boot
Physical	Size	125 x 95 mm COM Express Type 7	125 x 95 mm COM Express Type 7	125 x 95 mm COM Express Type 7
	Interface	COM Express Type 7 Headers	COM Express Type 7 Headers	COM Express Type 7 Headers
Power	Main Voltage	12V	12V	12V
	I/O Voltage	3.3V	3.3V	3.3V
Environment	Temperature	Commercial: 0°C to 70°C Industrial: -40°C to 85°C	Commercial: 0°C to 70°C Industrial: -40°C to 85°C	Commercial: 0°C to 70°C Industrial: -40°C to 85°C
	Humidity	Humidity (non-condensing): 10% – 90%	Humidity (non-condensing): 10% – 90%	Humidity (non-condensing): 10% – 90%

(*) Configurable SERDESs based on NXP LX2160A processor specifications.



Ordering Information

Available on Shop

	Description
Buy Now	COM LX2160A 16 Core No RAM 64GB EMMC Com.Temp R2.0

- To choose your ideal configuration see our [Product Configurator Tool](#)

Accessories:

SKU	Description
HS00018K	LX2160A Heatsink & Fan
SO-DIMM216	Kingston HyperX 32GB SO-DIMM DDR4 (2 x 16GB)
MSD016B	Micro SD 16GB

Carrier Boards

SKU	Description
Buy Now	HoneyComb LX2K No RAM 64GB eMMC Com.Temp R07
	ClearFog CX LX2K No RAM 64GB eMMC Com.Temp R07

For more information about the LX2160A COM Software/Hardware visit our:

[Developer Center](#)