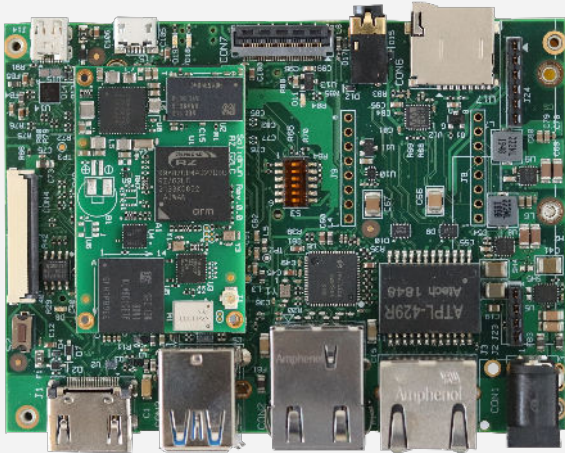


HummingBoard RZ/G2LC SBC

Up to 2 x Arm Cortex-A55 cores, up to 1.2GHz

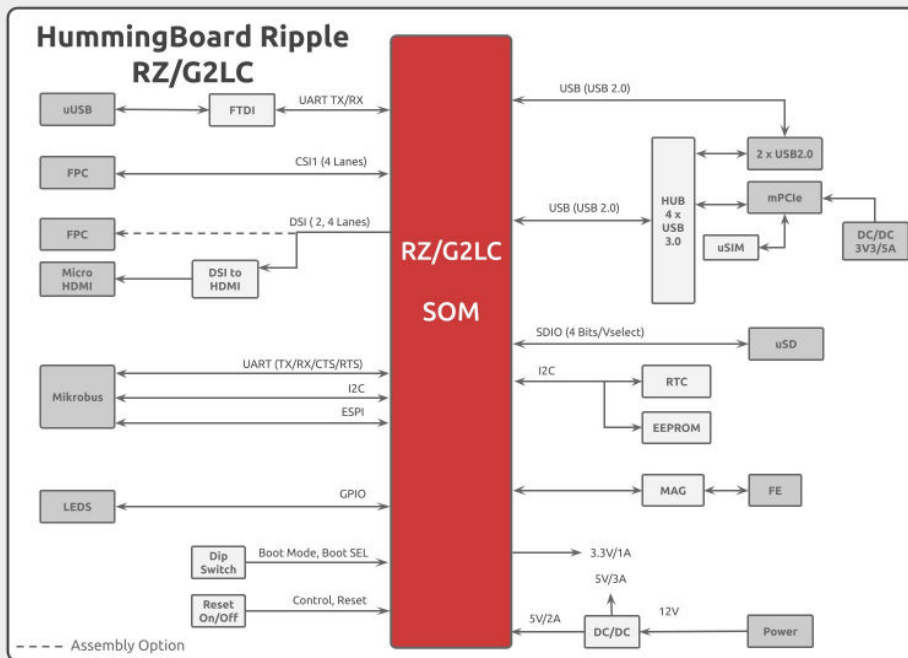


- SoC: Renesas RZ/G2LC based Single/Dual Core SOM Cortex A55
- Memory: Up to 2GB LPDDR4
- Storage: 8GB eMMC
- Temperature: Commercial (0C to 70C), Industrial (-40C to 85C)
- OS: Linux



HummingBoard RZ/G2LC SBC

	HummingBoard RZ/G2LC SBC
I/O	2 x USB 2.0 1 x MIPI-CSI
Networking	1 x Ethernet RJ45 10/100/1000 1 x 802.11 a/b/g/n WiFi and Bluetooth BT 4.2
Processor	Renesas RZ/G2LC Dual core Arm Cortex A55 up to 1.2GHz + Cortex M33
Memory & Storage	Up to 2GB LPDDR4 8GB eMMC MicroSD
Display	Micro HDMI
Misc.	1 x Reset button 1x Configurable push button LED indicators RTC
Development and Debug interfaces	Micro USB
Power	9V - 36V
Expansion card I/Os	mikroBUS header Mini PCIe with SIM holder
Temperature	Commercial: 0°C to 70°C
Dimensions	PCBA: 100 x 70mm
Enclosure	None



Ordering Information

Available on Shop	
SKU	Description
SRG2L-EVKHR-R00	SOM Renesas RZ/G2LC HummingBoard RZ/G2LC WiFi 802.11abgn + BT4 1GB 8GB eMMC

- To choose your ideal configuration see our [Product Configurator Tool](#)

For more information about the HummingBoard RZ/G2LC SBC Software/Hardware visit our:

[Developer Center](#)