

# HummingBoard RZ/G2LC SBC

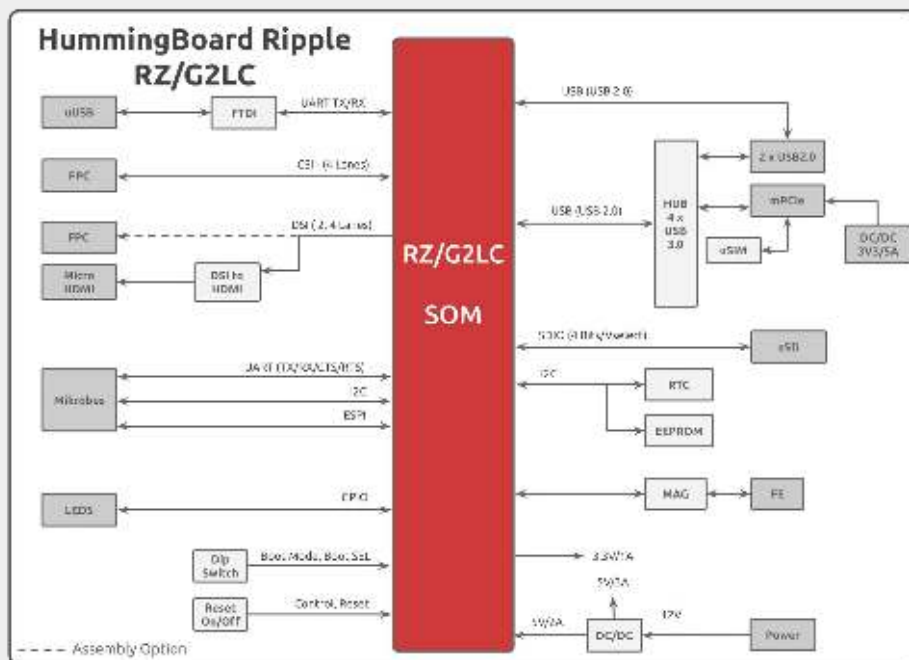
Up to 2 x Arm Cortex-A55 cores, up to 1.2GHz



- SoC: Renesas RZ/G2LC based Single/Dual Core SOM Cortex A55
- Memory: Up to 2GB LPDDR4
- Storage: 8GB eMMC
- Temperature: Commercial (0C to 70C), Industrial (-40C to 85C)
- OS: Linux



HummingBoard RZ/G2LC SBC	
<b>I/O</b>	2 x USB 2.0 1 x MIPI-CSI
<b>Networking</b>	1 x Ethernet RJ45 10/100/1000 1 x 802.11 a/b/g/n/ac WiFi and Bluetooth 4.2
<b>Processor</b>	Renesas RZ/G2LC Dual core Arm Cortex A55 up to 1.2GHz + Cortex M33
<b>Memory &amp; Storage</b>	Up to 2GB LPDDR4 8GB eMMC MicroSD
<b>Display</b>	Micro HDMI
<b>Misc.</b>	1 x Reset button 1x Configurable push button LED indicators RTC
<b>Development and Debug interfaces</b>	Micro USB
<b>Power</b>	9V - 36V
<b>Expansion card I/Os</b>	mikroBUS header Mini PCIe with SIM holder
<b>Temperature</b>	Commercial: 0°C to 70°C
<b>Dimensions</b>	PCBA: 100 x 70mm
<b>Enclosure</b>	None



## Ordering Information

Available on Shop	
SKU	Description
<a href="#">SRG2L-EVKHR-R00</a>	SOM Renesas RZ/G2LC   HummingBoard RZ/G2LC   WiFi 802.11abgn + BT4   1GB  8GB eMMC

- To choose your ideal configuration see our [Product Configurator Tool](#)

For more information about the HummingBoard RZ/G2LC SBC Software/Hardware visit our:

[Developer Center](#)