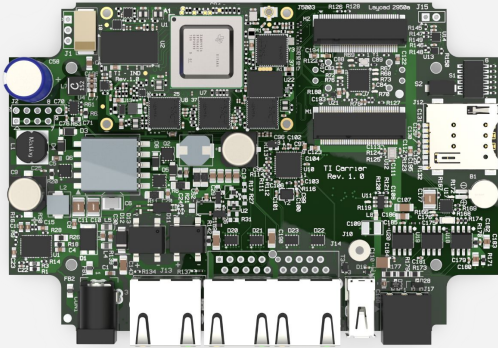


HummingBoard T SBC

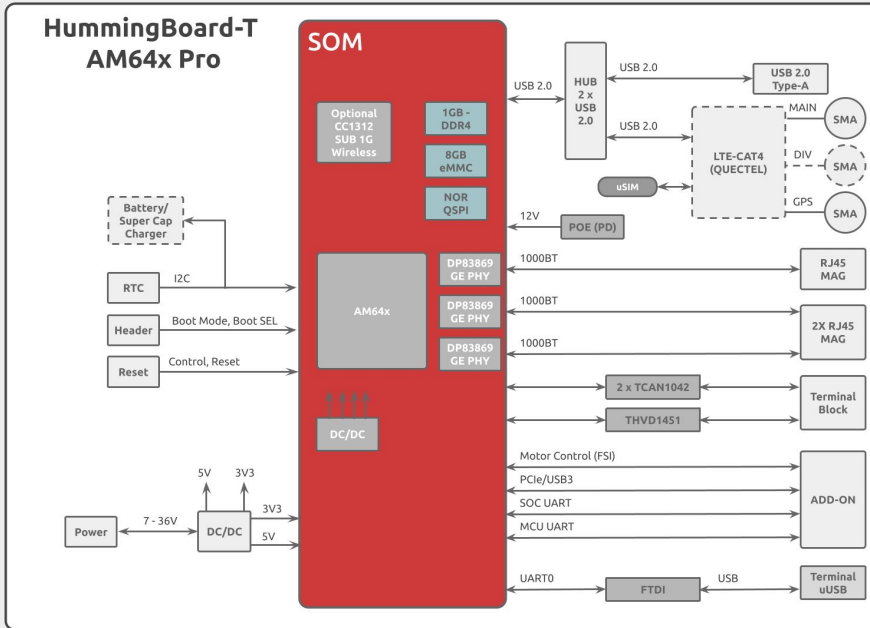
Up to 4 x Arm Cortex-A53 cores



- Best in class real-time and low latency processing for industrial applications
- Support for multi-protocol industrial ethernet using in chip PRU-ICSSG (Programmable Real-time Unit for Gigabit Industrial Communication Subsystem)
- Inline ECC and functional safety capabilities for mission-critical use cases



	HUMMINGBOARD-T AM64X BASE	HUMMINGBOARD-T AM64X PRO
I/O	1 x USB 3.0 2 x CAN-FD 2 x RS485/RS232	1 x USB 3.0 2 x CAN-FD 2 x RS485/RS232
Networking	1 x 10/100/1000 Mbps (PRU ICSSG, Supporting ; TSN, EtherCAT, PROFINET, EtherNET/IP) 1 x Optional Cat 4 LTE with SIM Holder	1 x 10/100/1000 Mbps 2 x 10/100/1000 Mbps (PRU ICSSG, Supporting ; TSN, EtherCAT, PROFINET, EtherNET/IP) 1 x Optional Cat 4 LTE with SIM Holder 1 x CC1312 SimpleLink 1 GHz wireless MCU (Optional)
Processor	TI Sitara AM6424 Arm Cortex A53 Dual core @ 1GHz + 4 x Cortex R5 @ 800MHz + 1 x Cortex M4 @ 400MHz	TI Sitara AM6424 Arm Cortex A53 Dual core @ 1GHz + 4 x Cortex R5 @ 800MHz + 1 x Cortex M4 @ 400MHz
Memory & Storage	1GB DDR4 8GB eMMC	1GB DDR4 8GB eMMC
Misc.	GPIO header Indication LEDs User Push Buttons RTC with battery backup	GPIO header Indication LEDs User Push Buttons RTC with battery backup
Development and Debug interfaces	Console port (internal)	Console port (internal)
Power	9V-36V Optional battery charger	9V-36V Optional 802.3af POE PD Optional battery charger
Expansion card I/Os	M.2	M.2
Temperature	Industrial: -40°C to 85°C	Industrial: -40°C to 85°C
Dimensions	150 x 85 x 40 mm	150 x 85 x 40 mm
Enclosure	Optional	Optional



Ordering Information

Available on Shop	
SKU	Description

- To choose your ideal configuration see our [Product Configurator Tool](#)

Accessories:	
SKU	Description

For more information about the HummingBoard - T Software/Hardware visit our:

[Developer Center](#)