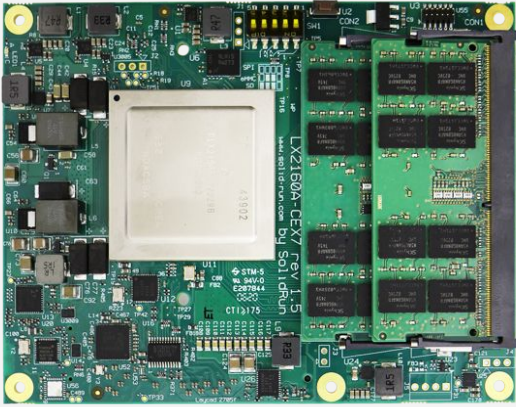


# LX2160A COM

Up to 16 Cortex-A72 CPU cores, up to 2.2GHz

# NXP LX2160A Layerscape COM Express Type 7

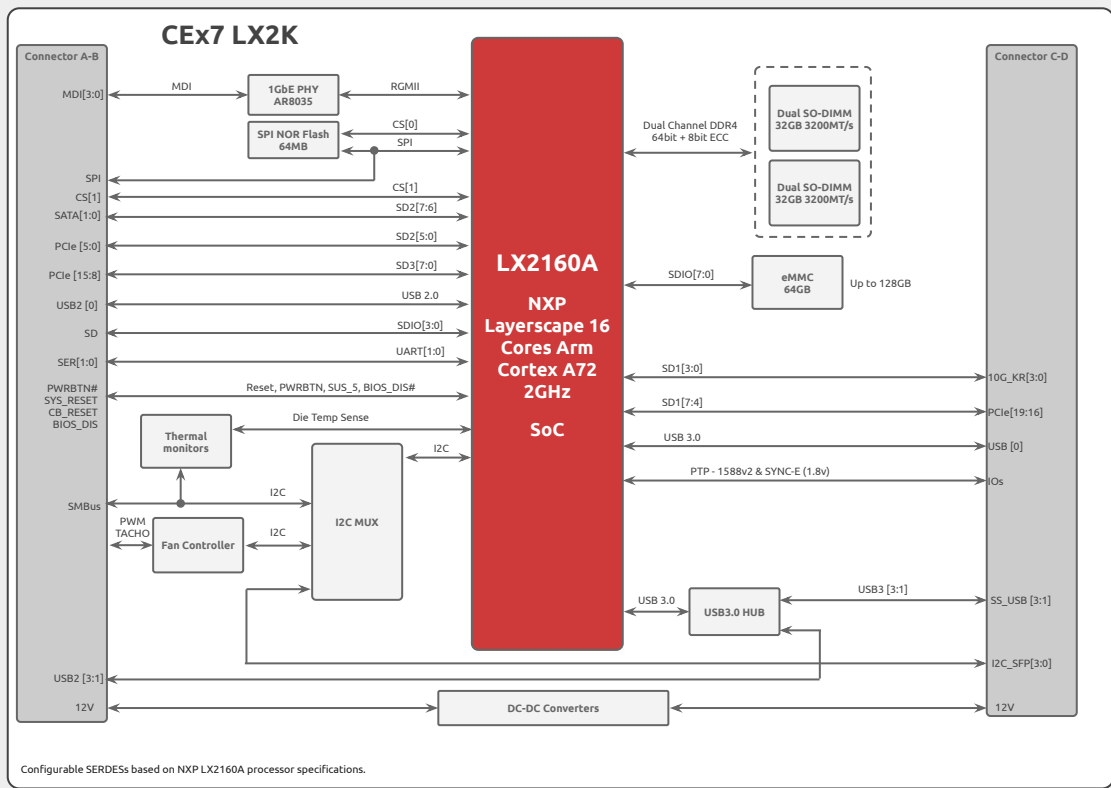


- Up to 100GbE (4 x SFP28)
- Up to 64GB DDR4 64 bit dual-channel
- Full virtualization support



		LX2160A	LX2120A	LX2080A
CPU Details	CPU Name	NXP Layerscape LX2160A	NXP Layerscape LX2120A	NXP Layerscape LX2080A
	CPU Type	16 x Cortex A72	12 x Cortex A72	8 x Cortex A72
	CPU Speed	2.0GHz Commercial	2.0GHz Commercial	2.0GHz Commercial
RAM	Memory & Storage	Dual channel Up to 64GB DDR4	Dual channel Up to 64GB DDR4	Dual channel Up to 64GB DDR4
	Internal Storage	64GB eMMC 64MB SPI	64GB eMMC 64MB SPI	64GB eMMC 64MB SPI
	External Storage Support	NOR-Flash SD PCIe-SSD	NOR-Flash SD PCIe-SSD	NOR-Flash SD PCIe-SSD
Networking	Ethernet	4 x 25 GbE or 1 x 100 GbE* 4 x 10GbE w/built in PHY Sync-E, 1588-V2	4 x 25 GbE or 4 x 10GbE w/built in PHY Sync-E, 1588-V2	4 x 25 GbE or 4 x 10GbE w/built in PHY Sync-E, 1588-V2
Connectivity	USB 3.0	4	4	4
	PCIe	18 (Gen 3.0 - 5 controllers)*	18 (Gen 3.0 - 5 controllers)*	18 (Gen 3.0 - 5 controllers)*
	I2C	6	6	6
	SPI	1	1	1
	UART	2	2	2
	GPIO	✓	✓	✓
	SATA	2 (Gen 3.0)*	2 (Gen 3.0)*	2 (Gen 3.0)*
	SD/MMC	1	1	1
JTAG	JTAG Header	JTAG Header	JTAG Header	
OS Support	Embedded Linux	Linux DPDK UEFI NXP Layerscape Secure Boot	Linux DPDK UEFI NXP Layerscape Secure Boot	Linux DPDK UEFI NXP Layerscape Secure Boot
Physical	Size	125 x 95 mm COM Express Type 7	125 x 95 mm COM Express Type 7	125 x 95 mm COM Express Type 7
	Interface	COM Express Type 7 Headers	COM Express Type 7 Headers	COM Express Type 7 Headers
Power	Main Voltage	12V	12V	12V
	I/O Voltage	3.3V	3.3V	3.3V
Environment	Temperature	Commercial: 0°C to 70°C Industrial: -40°C to 85°C	Commercial: 0°C to 70°C Industrial: -40°C to 85°C	Commercial: 0°C to 70°C Industrial: -40°C to 85°C
	Humidity	Humidity (non-condensing): 10% – 90%	Humidity (non-condensing): 10% – 90%	Humidity (non-condensing): 10% – 90%

(\*) Configurable SERDESs based on NXP LX2160A processor specifications.



## Ordering Information

### Available on Shop

SKU	Description
<a href="#">SRX2160S01D00GE064V21C0</a>	COM LX2160A 16 Core   No RAM   64GB EMMC   Com.Temp   R2.0

- To choose your ideal configuration see our [Product Configurator Tool](#)

### Accessories:

SKU	Description
<a href="#">HS00018K</a>	LX2160A Heatsink & Fan
<a href="#">SO-DIMM216</a>	Kingston HyperX 32GB SO-DIMM DDR4 (2 x 16GB)
<a href="#">MSD016B</a>	Micro SD 16GB

### Carrier Boards

SKU	Description
<a href="#">SRLX216S00D00GE064H07CH</a>	HoneyComb LX2K   No RAM   64GB eMMC   Com.Temp   R07
<a href="#">SRLX216S00D00GE064C07CH</a>	ClearFog CX LX2K   No RAM   64GB eMMC   Com.Temp   R07

For more information about the LX2160A COM Software/Hardware visit our:

[Developer Center](#)