

# ClearFog GTR S4

Up to 16 Cortex-A72 CPU cores, up to 2.2GHz

# Outdoor NVR Industrial PoE Network Platform

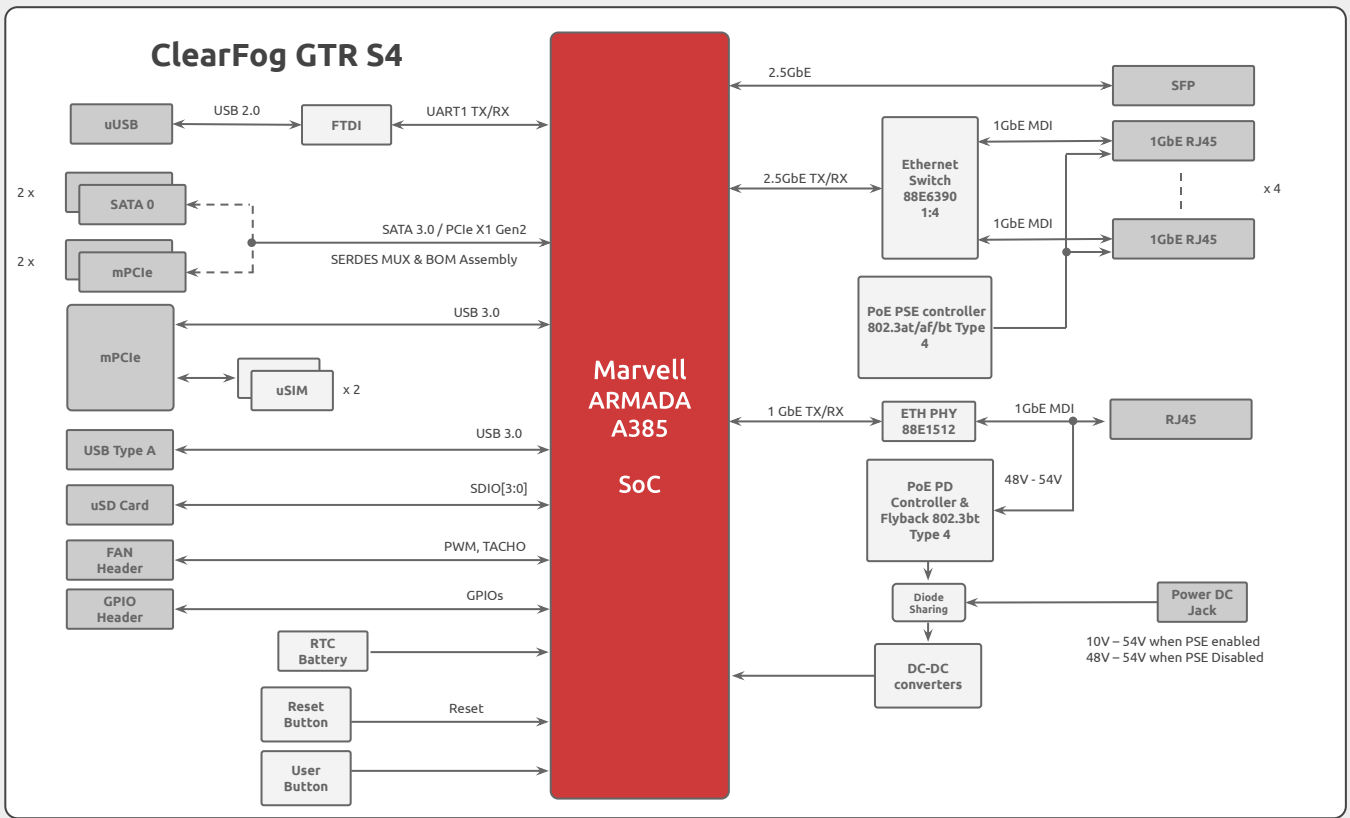


- SoC: Marvell ARMADA A385 Dual core Arm Cortex A9
- Up to 8 x 1GbE switched LAN, 2 x SFP and 1 x 1GbE WAN
- Power over Ethernet support PD and PSE
- Memory: Up to 2GB DDR3L
- Storage: 8GB eMMC
- Temperature: Industrial (-40C to 85C)



	ClearFog GTR L8
<b>I/Os</b>	1 x USB 3.0
<b>Networking</b>	4 x 1GbE switched LAN supporting 802.3at/af/bt (up to type 4) PSE PoE 1 x 1GbE WAN supporting up to 802.3bt type 4 PD PoE 1 x SFP (up to 2.5GbE)
<b>Processor</b>	Marvell ARMADA based A385 Dual core Arm Cortex A9 up to 1.3 GHz
<b>Memory &amp; Storage</b>	Up to 2GB DDR3 8GB eMMC MicroSD 2 x 7 pin SATA
<b>Display</b>	None
<b>Misc.</b>	GPIO header Indication LEDs User Push Buttons
<b>Development and Debug interfaces</b>	Micro USB
<b>Power</b>	10V – 54V when not enabling PoE PSE * 48V – 54V when enabling PoE PSE *
<b>Expansion card I/Os</b>	3 x mPCIe (1 x mPCIe supports LTE with SIM holder)
<b>Temperature</b>	Industrial: -40°C to 85°C
<b>Dimensions</b>	PCBA: 177 x 110mm Enclosure : 182 x 132 x 34mm
<b>Enclosure</b>	Extruded aluminum

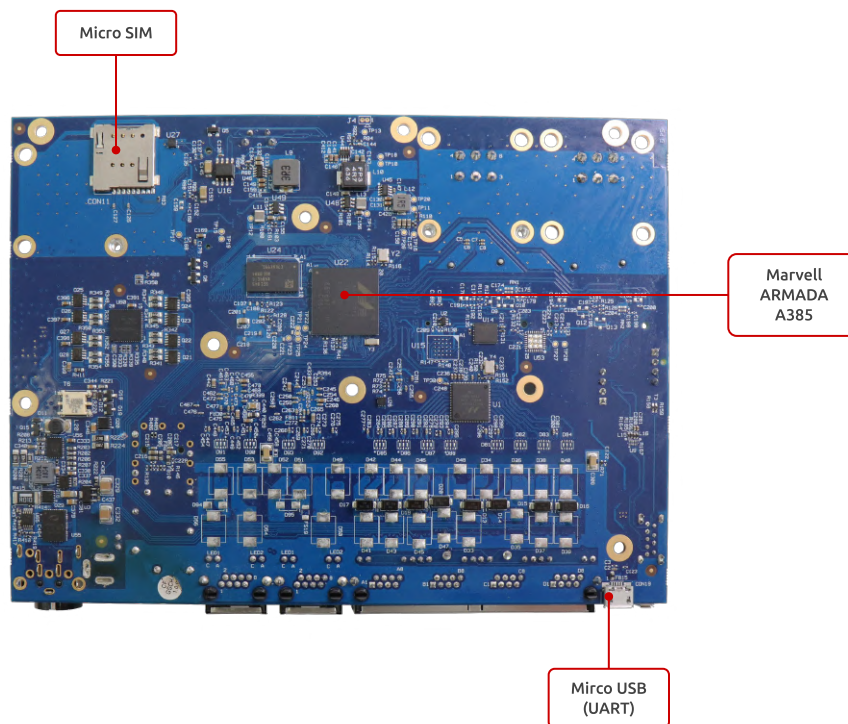
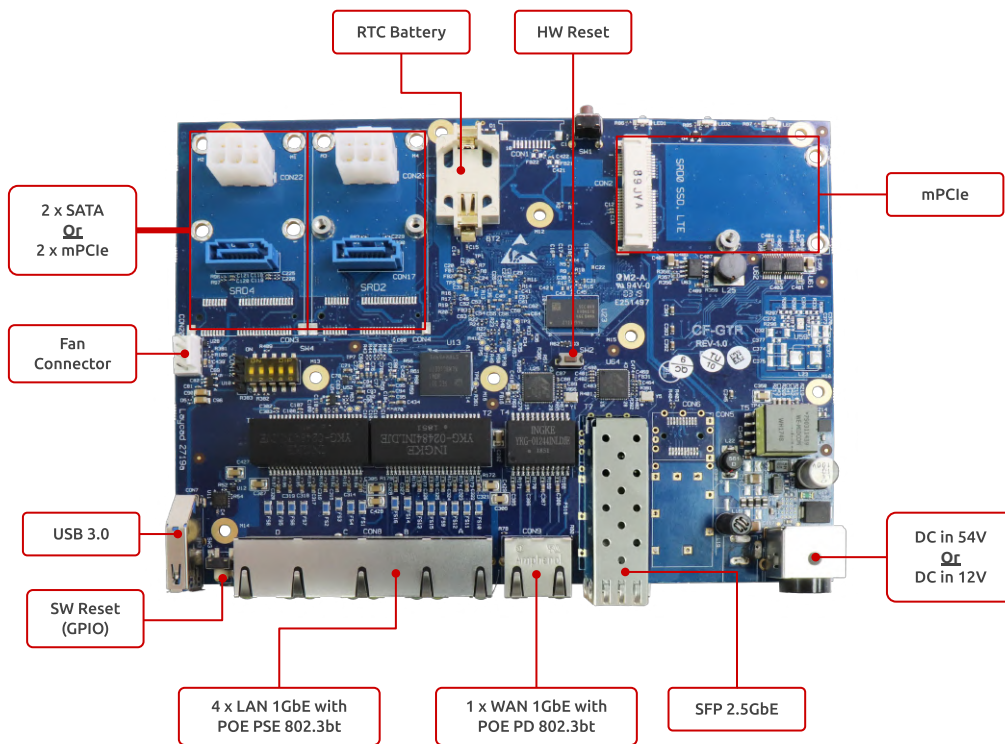
(\* 802.3bt supported only on 4 x RJ45 ports (90W each), 802.3at/af is supported on all 8 ports (30W each).



For Ordering information please [contact us](#)

- To choose your ideal configuration see our [Product Configurator Tool](#)

Accessories:	
SKU	Description
<a href="#">MSD016B</a>	Micro SD 16 GB
<a href="#">QT00EC25AU</a>	Quectel EC25AU - LTE Cat 4 AU
<a href="#">QT00EC25A</a>	Quectel EC25AU - LTE Cat 4 US
<a href="#">QT00EC25E</a>	Quectel EC25AU - LTE Cat 4 EU



For more information about the ClearFog GTR S4 Software/Hardware visit our:

Developer Center