

ClearFog GTR L8

Up to 16 Cortex-A72 CPU cores, up to 2.2GHz

Outdoor NVR Industrial PoE Network Platform

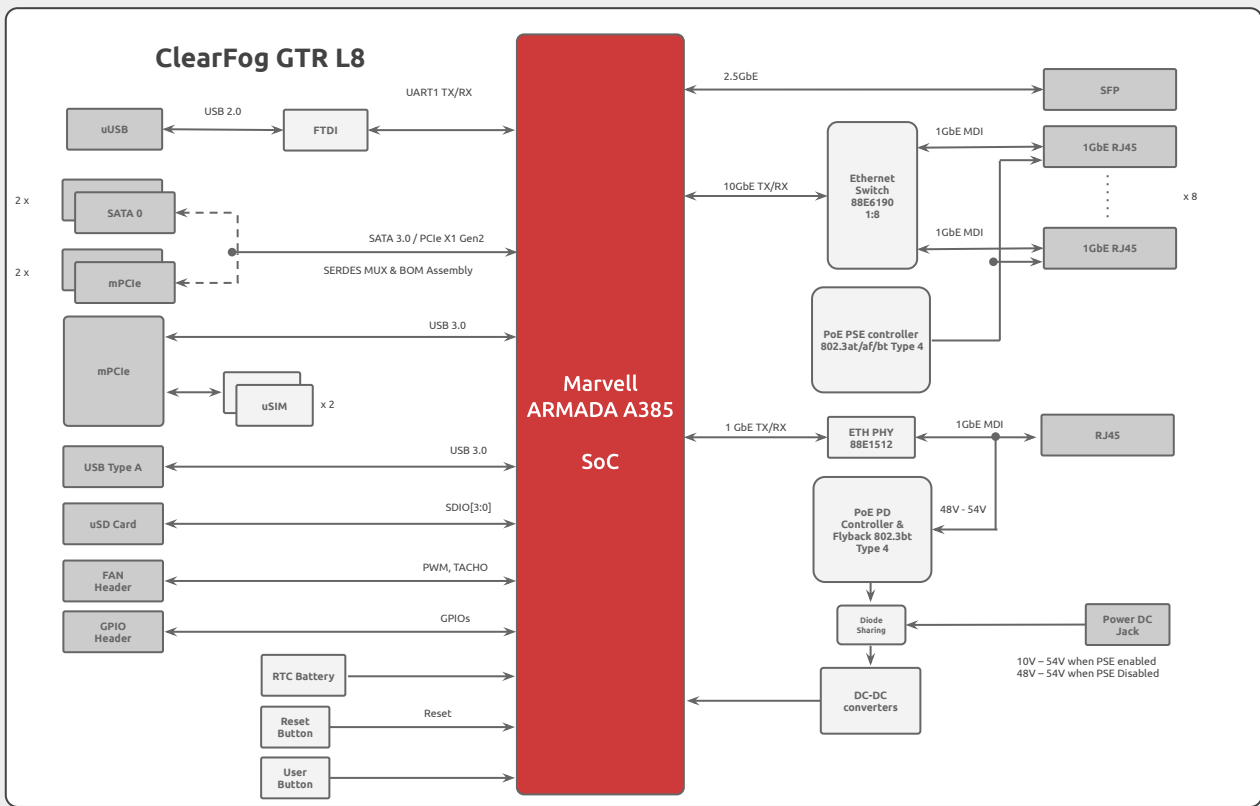


- SoC: Marvell ARMADA A385 Dual core Arm Cortex A9
- Up to 8 x 1GbE switched LAN, 2 x SFP and 1 x 1GbE WAN
- Power over Ethernet support PD and PSE
- Memory: Up to 2GB DDR3L
- Storage: 8GB eMMC
- Temperature: Industrial (-40C to 85C)



	ClearFog GTR L8
I/Os	1 x USB 3.0
Networking	8 x 1GbE switched LAN supporting 802.3at/af/bt* (up to type 4) PSE PoE 1 x 1GbE WAN supporting up to 802.3bt type 4 PD PoE 1 x SFP (up to 2.5GbE)
Processor	Marvell ARMADA based A385 Dual core Arm Cortex A9 up to 1.3 GHz
Memory & Storage	Up to 2GB DDR3 8GB eMMC MicroSD 2 x 7 pin SATA
Display	None
Misc.	GPIO header Indication LEDs User Push Buttons
Development and Debug interfaces	Micro USB
Power	10V – 54V when not enabling PoE PSE * 48V – 54V when enabling PoE PSE *
Expansion card I/Os	3 x mPCIe (1 x mPCIe supports LTE with SIM holder)
Temperature	Industrial: -40°C to 85°C
Dimensions	PCBA: 238 x 130mm Enclosure : 253 x 132 x 32mm
Enclosure	Extruded aluminum

(*) 802.3bt supported only on 4 x RJ45 ports (90W each), 802.3at/af is supported on all 8 ports (30W each).



Ordering Information

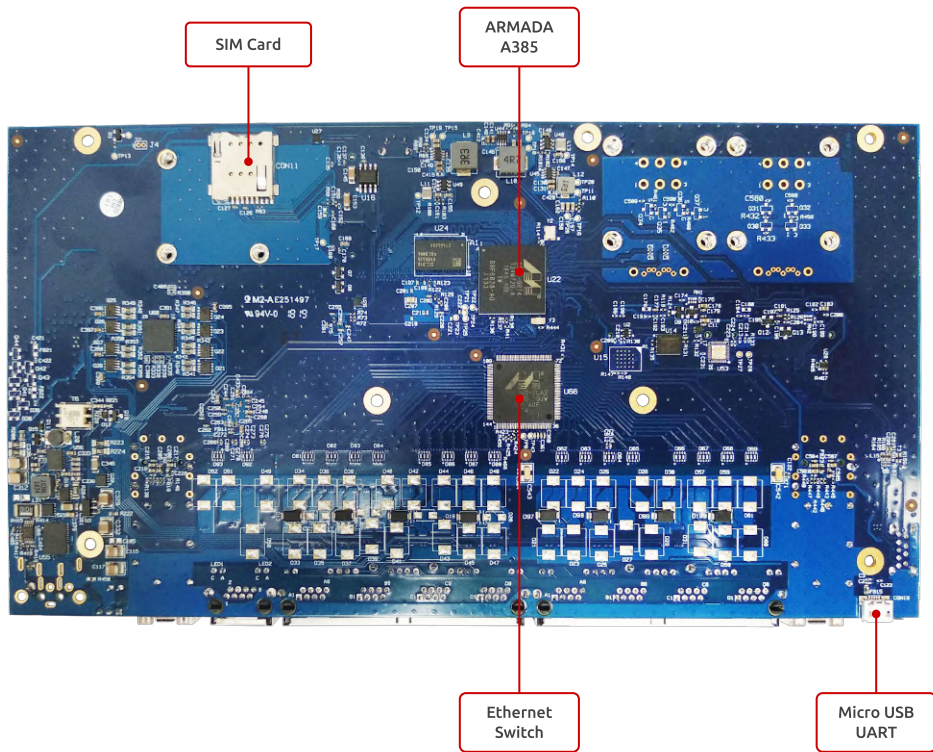
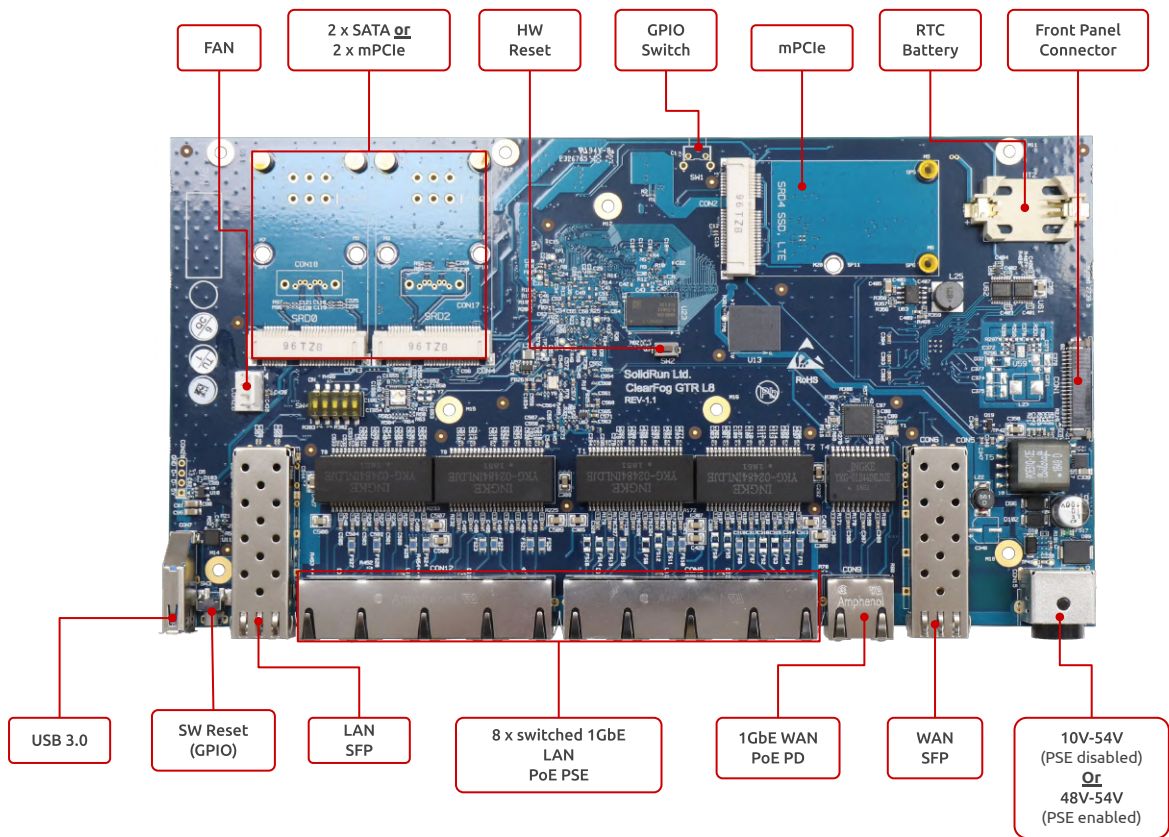
Available on Shop

SKU	Description
SRGTRL8A11E-US	ClearFog GTR L8 1GB RAM 8GB eMMC Ind.Temp R11 US Kit
SRGTRL8A11E-EU	ClearFog GTR L8 1GB RAM 8GB eMMC Ind.Temp R11 EU Kit

- To choose your ideal configuration see our [Product Configurator Tool](#)

Accessories:

SKU	Description
MSD016B	Micro SD 16 GB
QT00EC25AU	Quectel EC25AU - LTE Cat 4 AU
QT00EC25A	Quectel EC25AU - LTE Cat 4 US
QT00EC25E	Quectel EC25AU - LTE Cat 4 EU



For more information about the ClearFog GTR L8 Software/Hardware visit our:

Developer Center