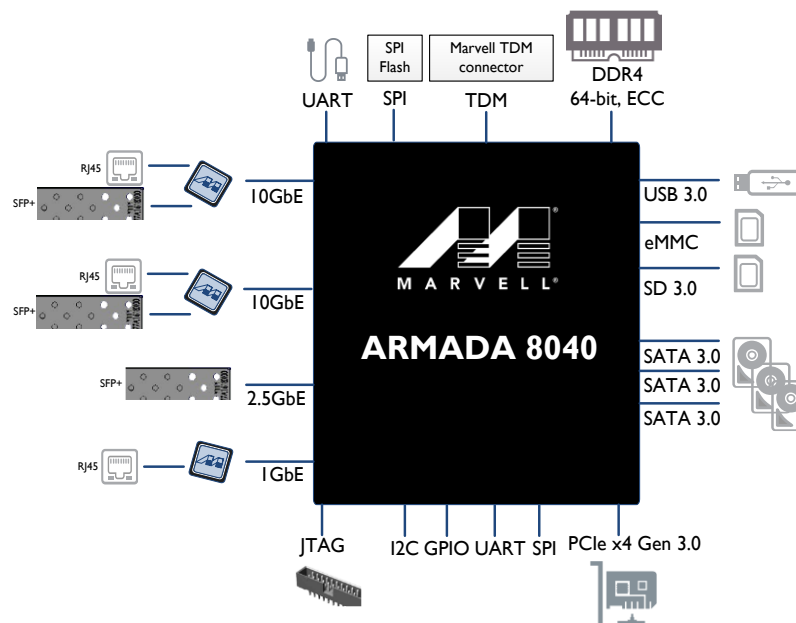
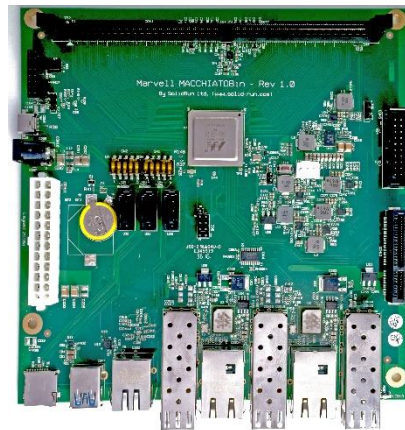


## Marvell ARMADA 8040 Community Board

# MACCHIATOBin



For ordering the MACCHIATOBin please visit:

<https://www.solid-run.com/MACCHIATOBin>

**SolidRun Ltd.**

3 Dolev st., 3rd floor, P.O. Box 75  
Migdal Tefen 2495900, Israel.

[www.solid-run.com](http://www.solid-run.com)

## Overview

MACCHIATOBin is the Marvell ARMADA 8040 Community Board, a first-of-its-kind Cost-Effective, High Performance and Networking ARMv8 community board.

## System Specifications

MACCHIATOBin		
<b>ARMADA 8040 SoC</b>	<b>Processor</b>	Quad core ARMv8 Cortex-A72 (up to 2GHz) Full CPU virtualization ARMv8 Cryptography and CRC extensions High-bandwidth, low-latency Coherency Fabric
	<b>Accelerations</b>	Packet Processor Security Engine DMA engines XOR engines for RAID 5/6 acceleration
	<b>Other Features</b>	IO virtualization SBSA
<b>Memory</b>	DDR4 DIMM slot with optional ECC and single/dual chip select support	
<b>Networking</b>	Dual 10GbE* via copper or SFP 2.5GbE** via SFP 1GbE via copper	
<b>Flash</b>	SPI Flash	
<b>Storage</b>	3 x SATA 3.0 connectors MicroSD connector eMMC	
<b>High speed expansion</b>	PCIex4 3.0 slot USB 3.0 connector	
<b>Low speed expansion</b>	Marvell TDM module header	
<b>Development and Debug interfaces</b>	Console port (UART) over micro USB connector (FTDI onboard) 20-pin Connector for CPU JTAG debugger 2 x UART headers	
<b>Power</b>	12V input via DC Jack / ATX type power connector	
<b>Form Factor</b>	Mini-ITX (170 mm x 170 mm)	
<b>Optional Accessories</b>	Additional DDR4 DIMM options 12V DC power supply ATX power supply Standard Mini-ITX Case	
<b>Software</b>	Mainline Linux Mainline U-Boot UEFI (Linaro UEFI tree)	U-Boot 2015.11 Linux Kernel 4.4.x Yocto 2.1
	SUSE Linux Debian	netmap OpenDataPlane (ODP) OpenFastPath DPDK

(\*) Support 1GbE/2.5GbE/10GbE

(\*\*) Support 1GbE/2.5GbE