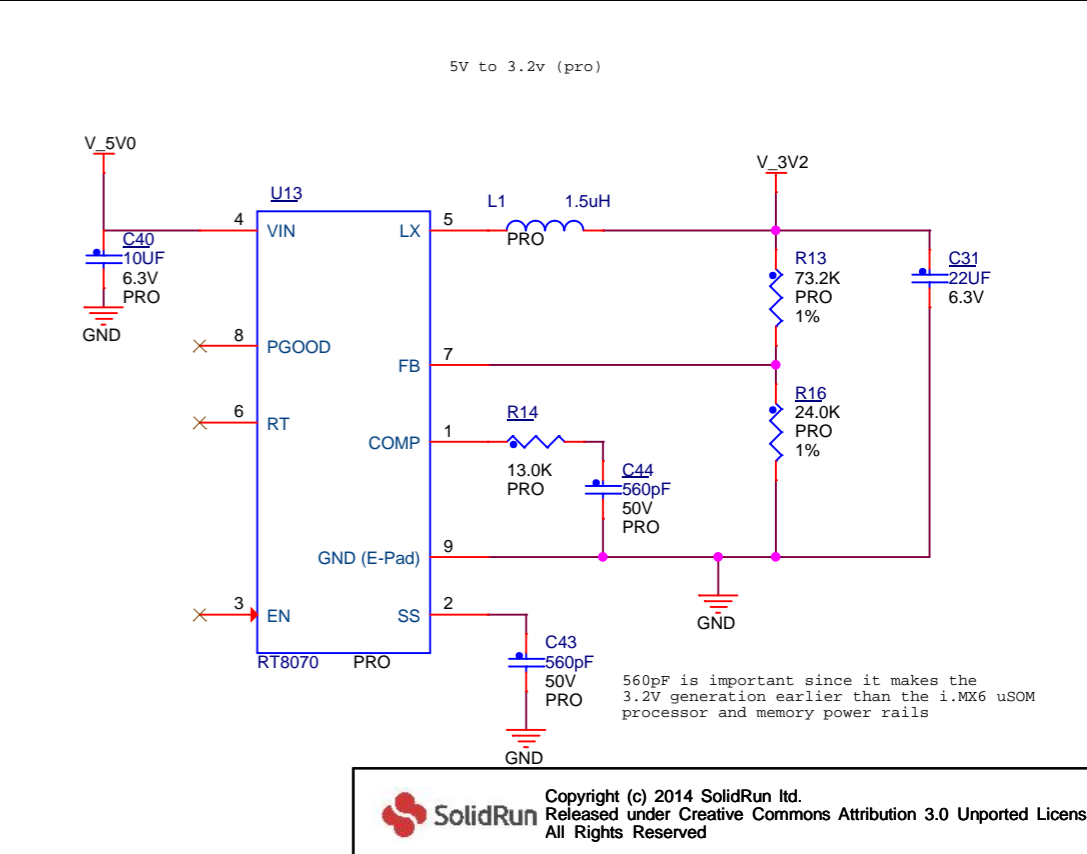
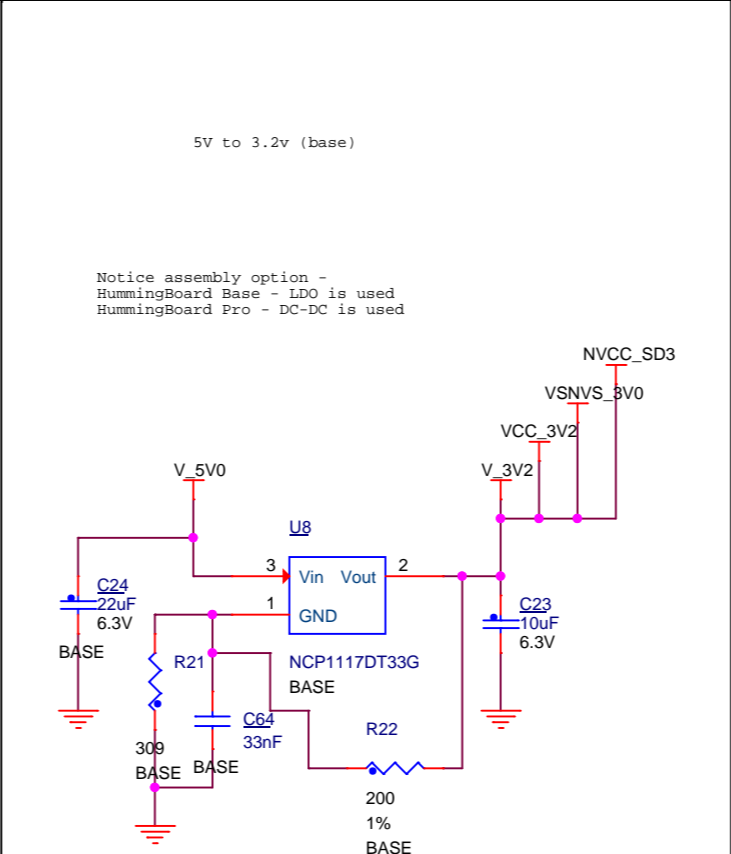
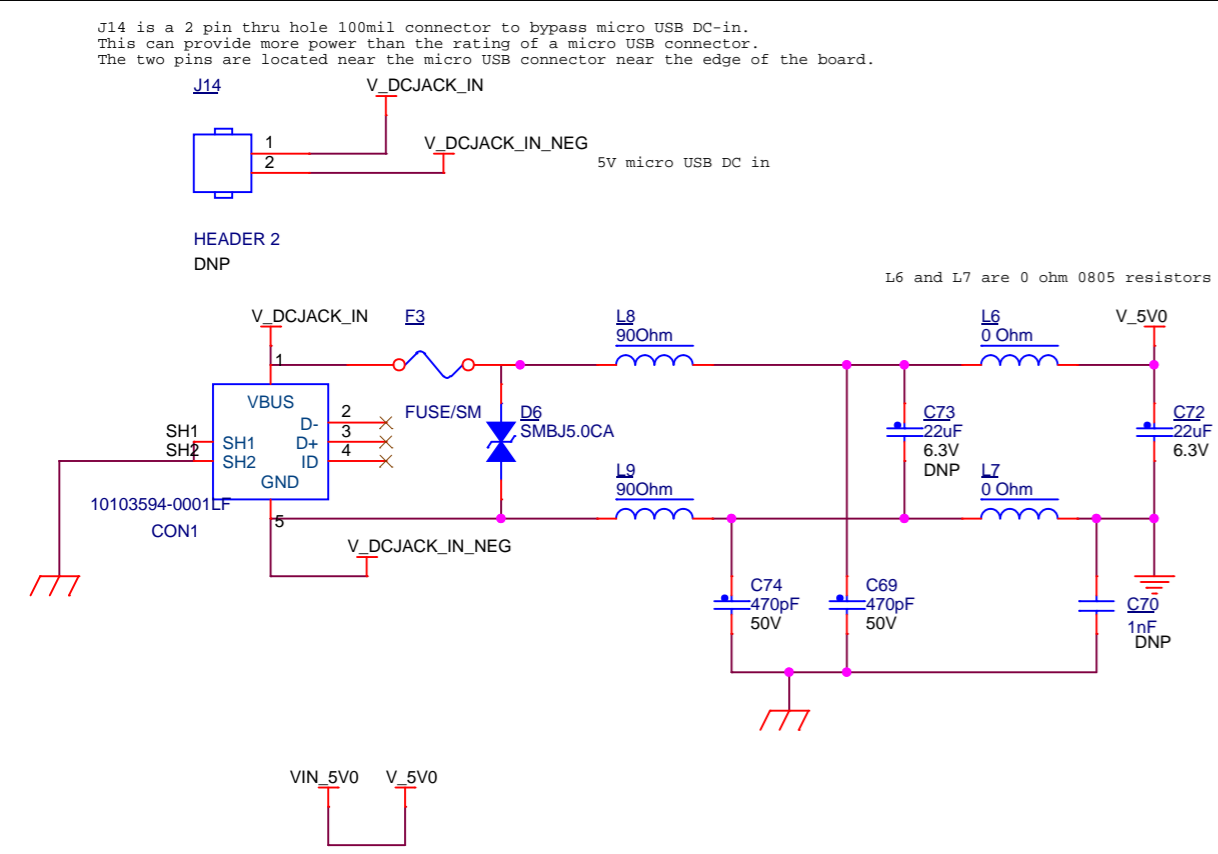
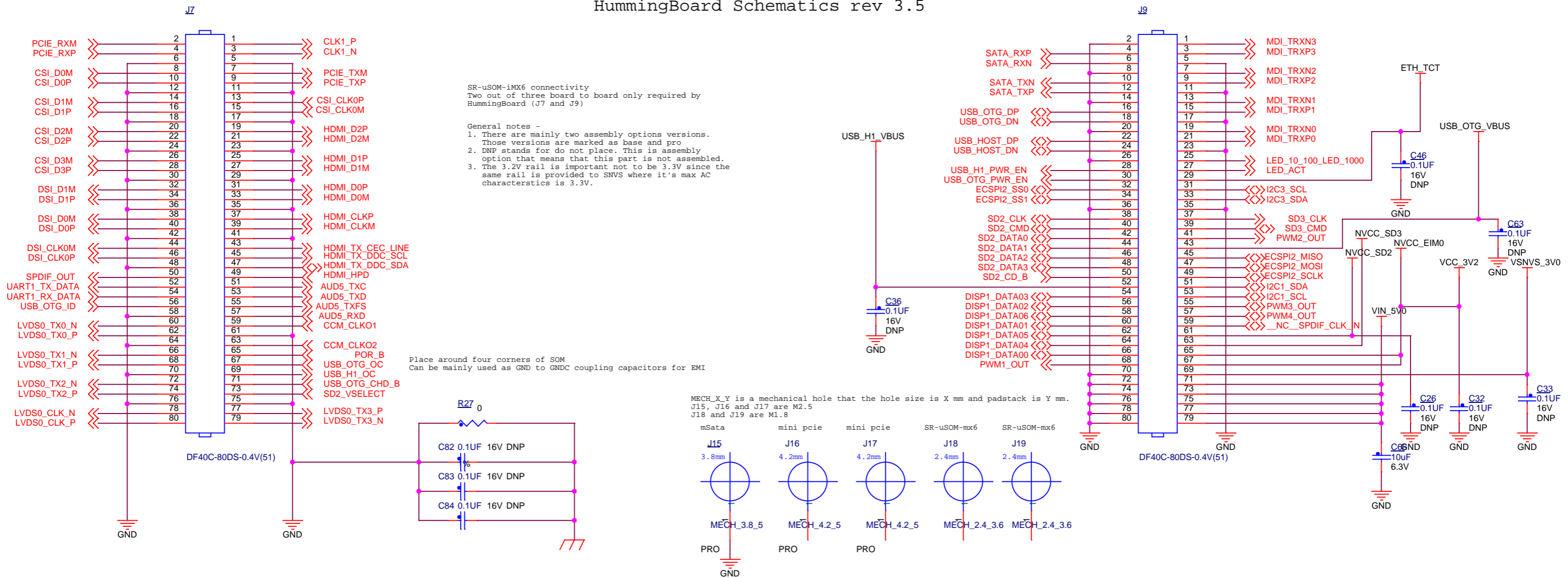
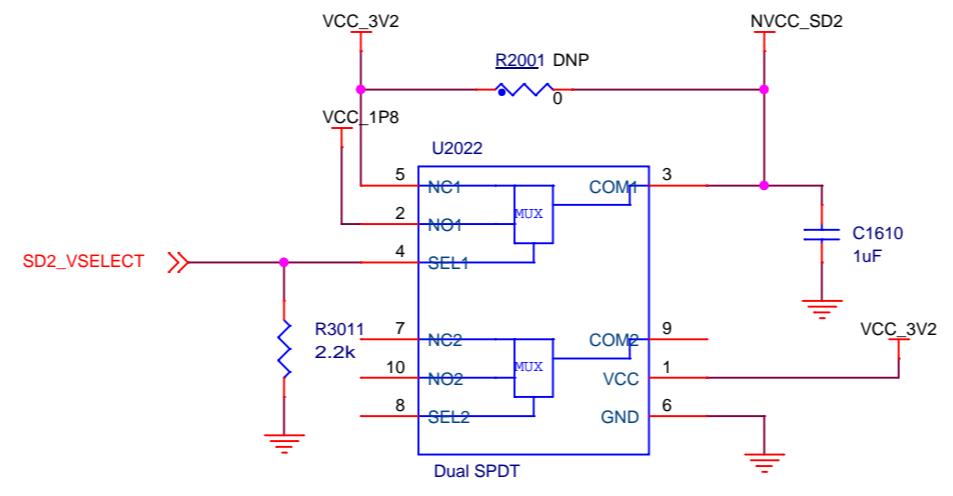
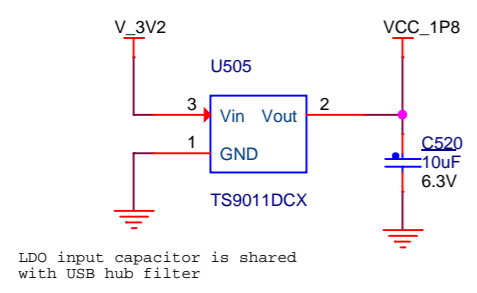


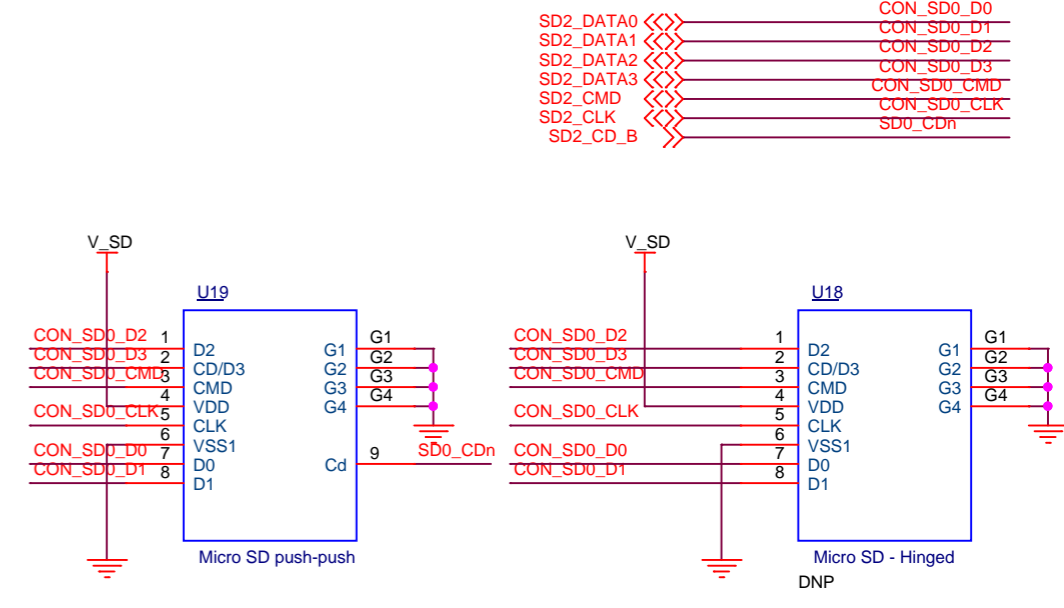
HummingBoard Schematics rev 3.5



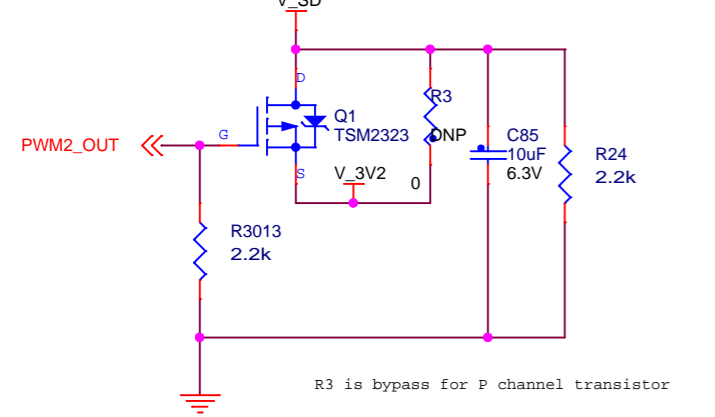
SDIO 3.3v / 1.8v switch circuitry



micro SD connectors (assembly option of push-push type and hinged type)



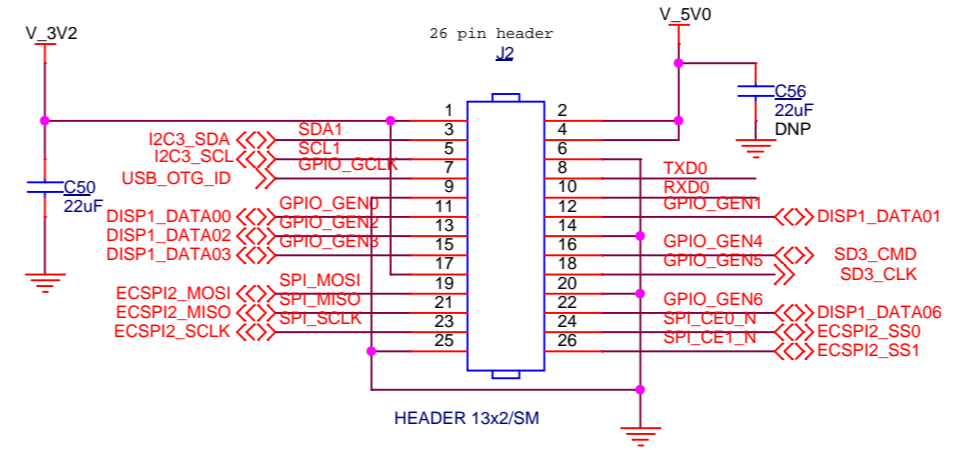
micro SD power on/off
Change C85 to be 1uF instead of 10uF to prevent in-rush



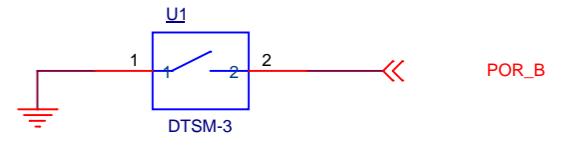
GPIO pin mapping -

Pin	GPIO
7	(1, 1)
11	(3, 9)
12	(3, 8)
13	(3, 7)
15	(3, 6)
16	(7, 2)
18	(7, 3)
22	(3, 3)

SPI and I2C can be also muxed to be GPIO

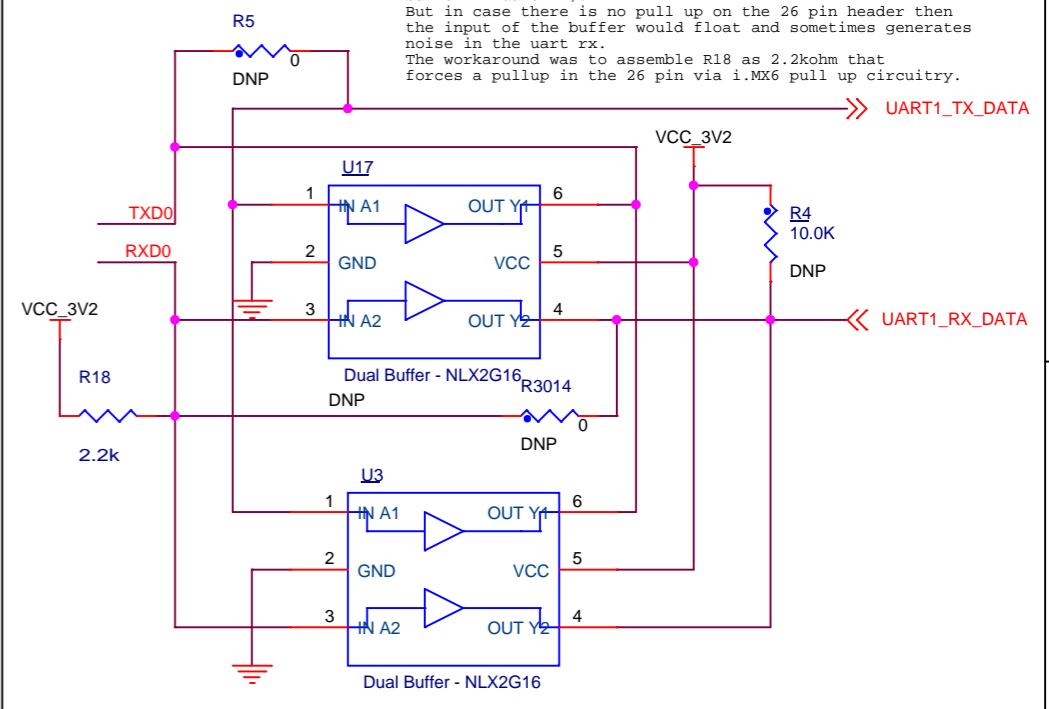


RESET button

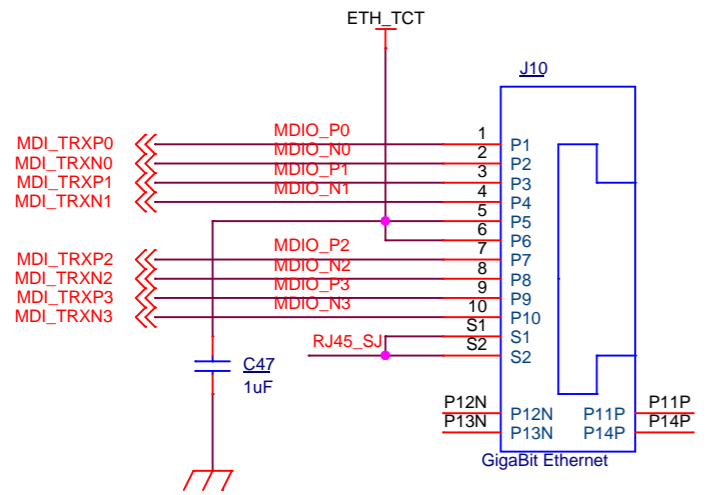


UART buffer (notice either U17 or U3 is assembled)

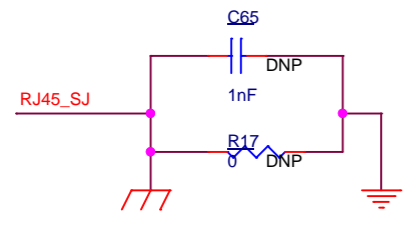
UART buffer (notice either U17 or U3 is assembled). R18 was initial 0 ohm and marked as DNP (to bypass the buffer in uart rx). But in case there is no pull up on the 26 pin header then the input of the buffer would float and sometimes generates noise in the uart rx. The workaround was to assemble R18 as 2.2kohm that forces a pullup in the 26 pin via i.MX6 pull up circuitry.



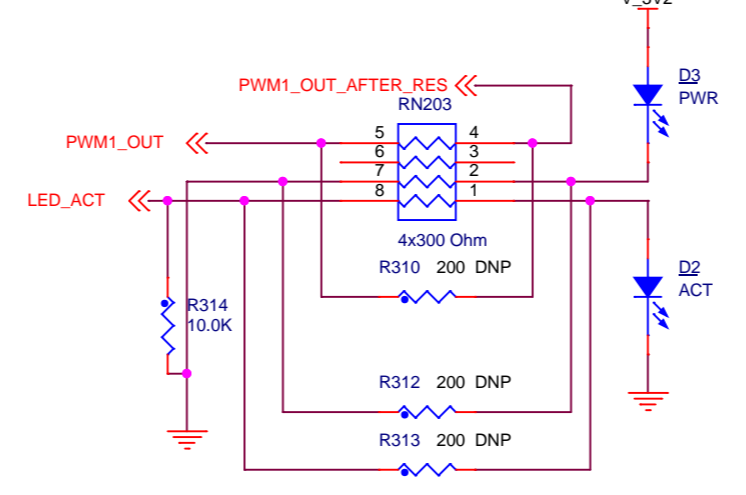
RJ45 Connector



GND and GNDC decoupling caps

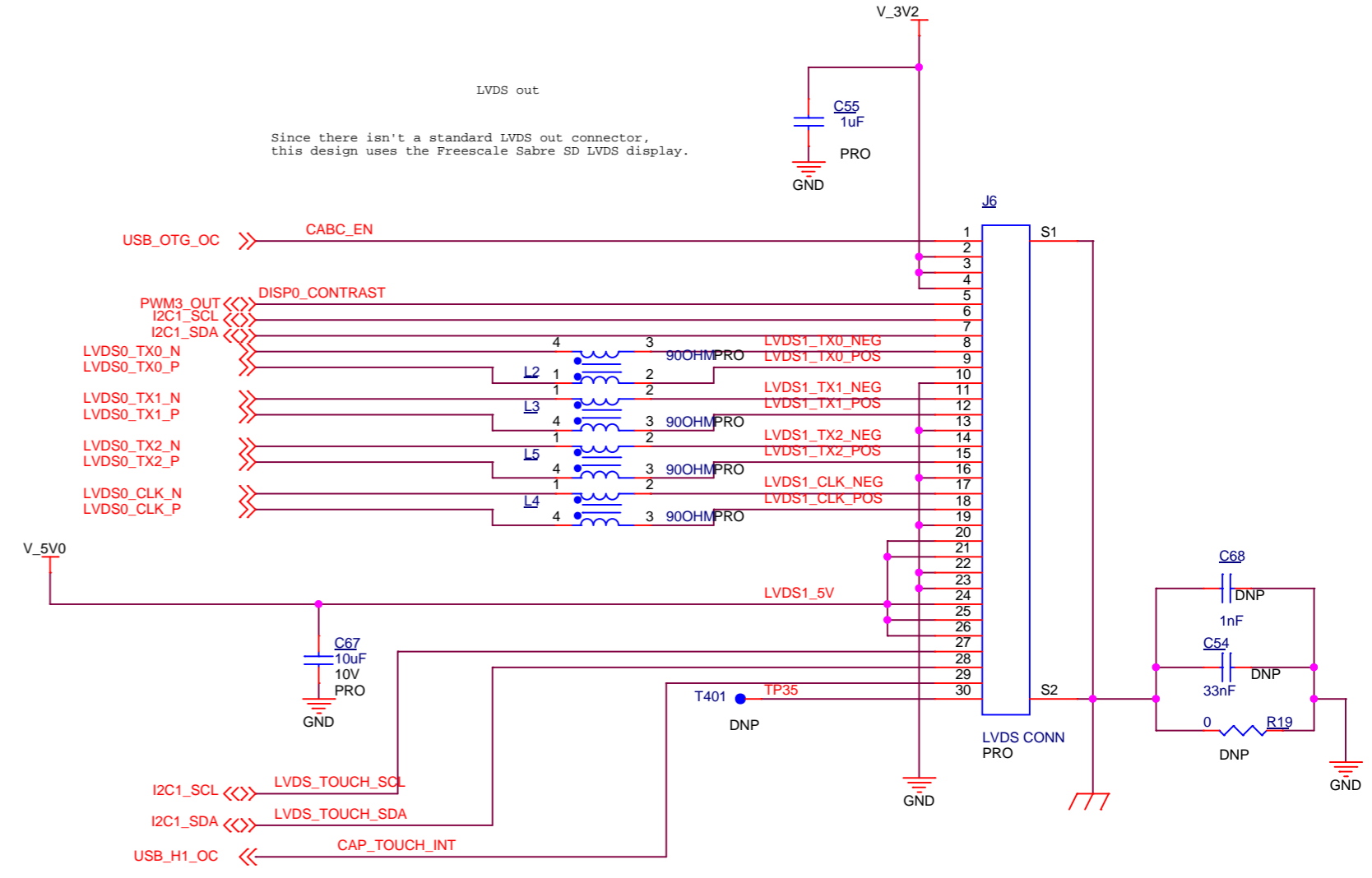
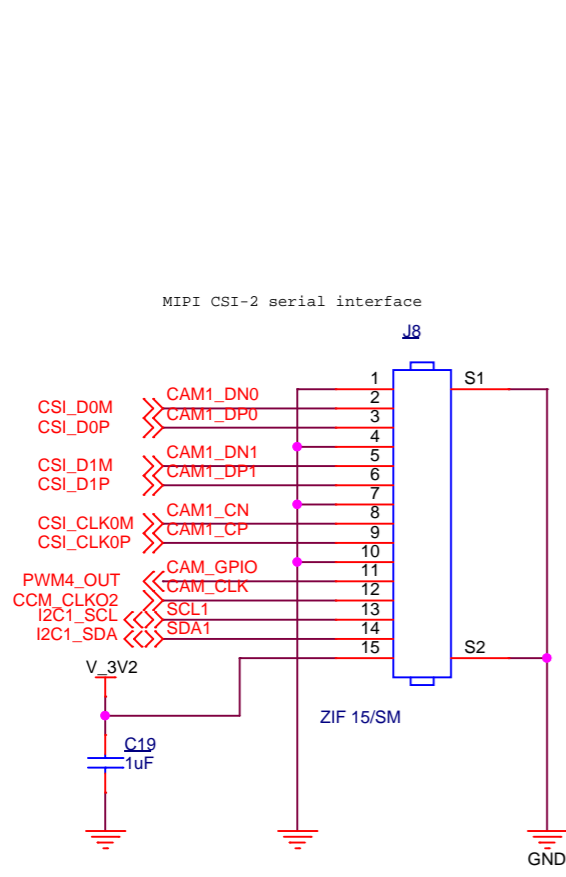


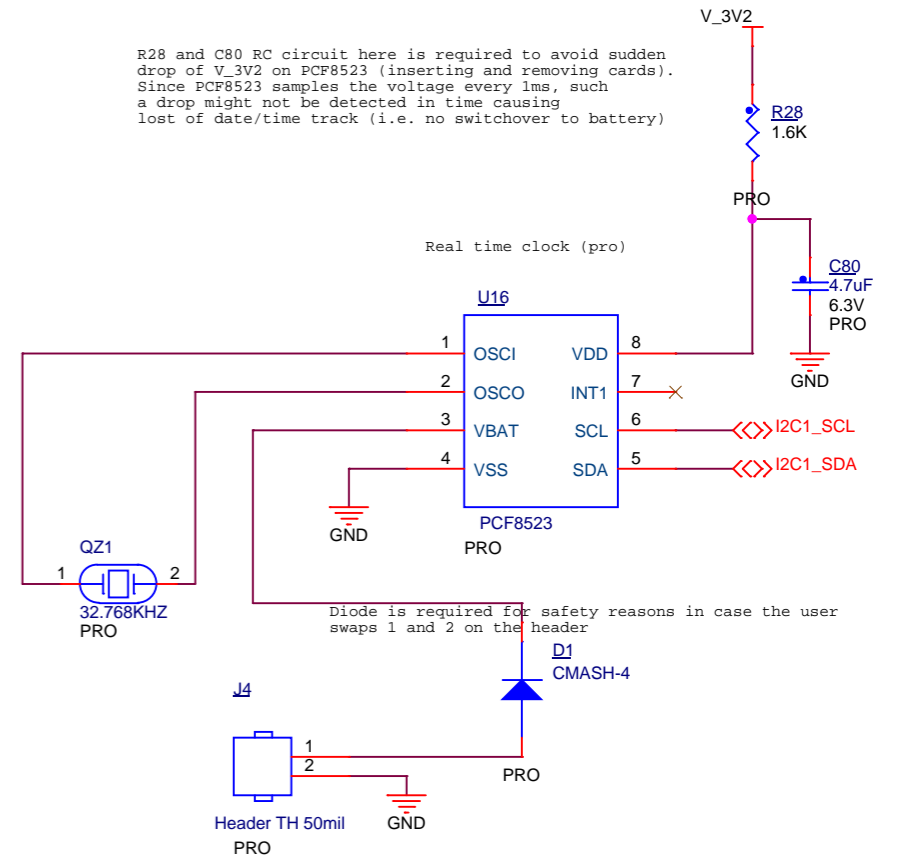
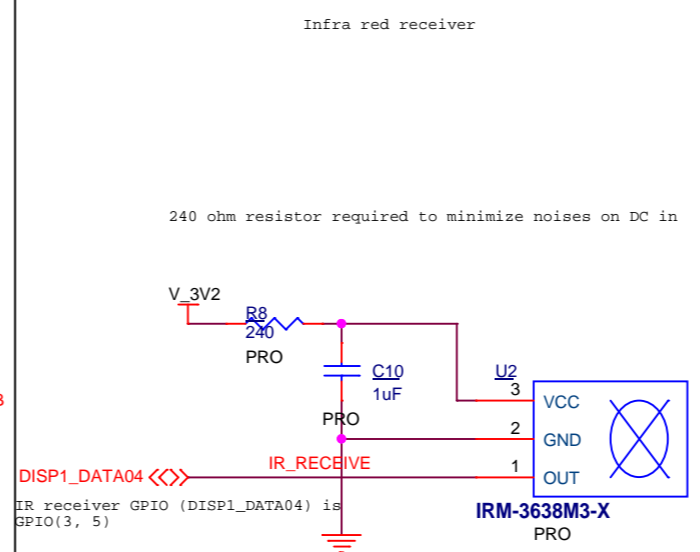
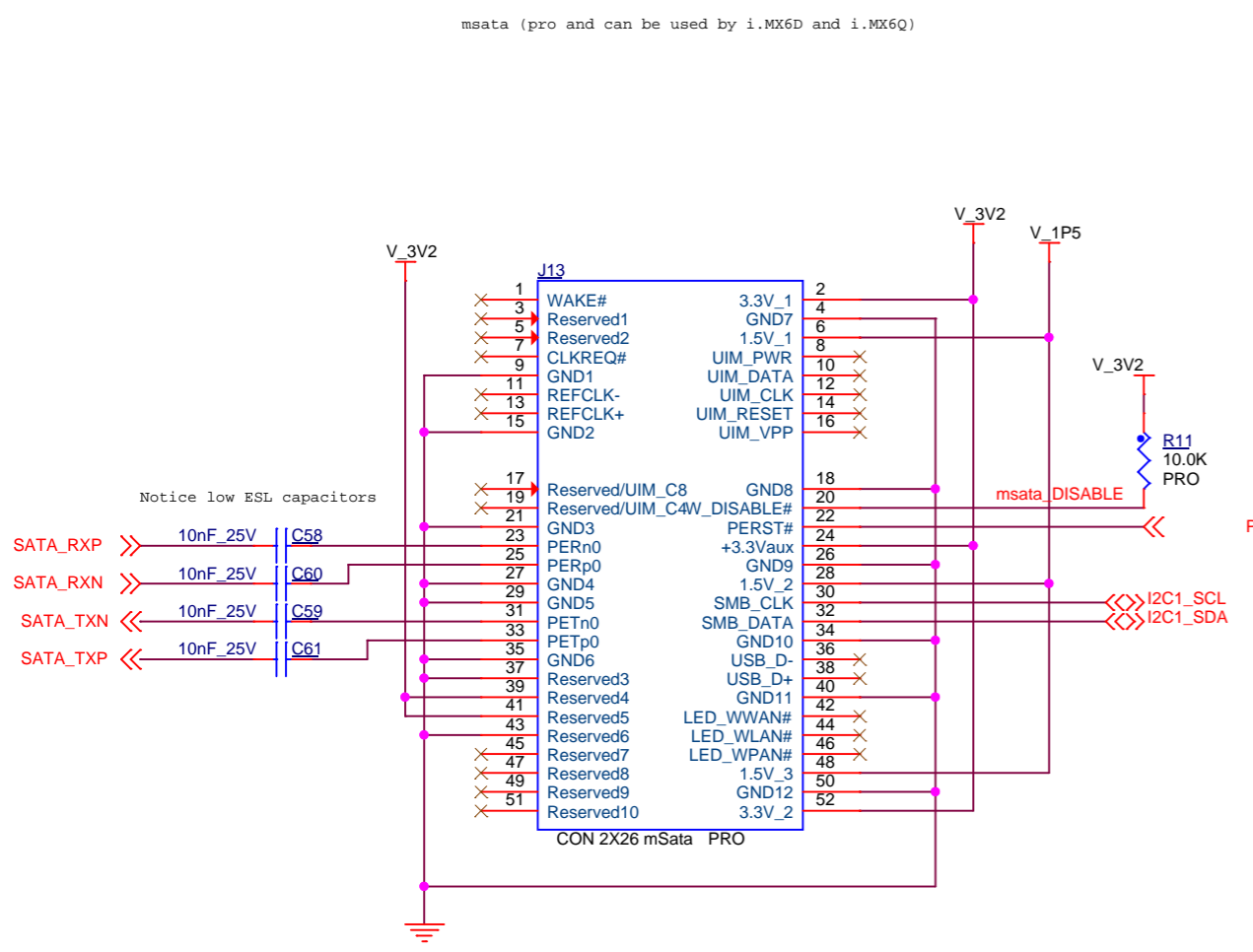
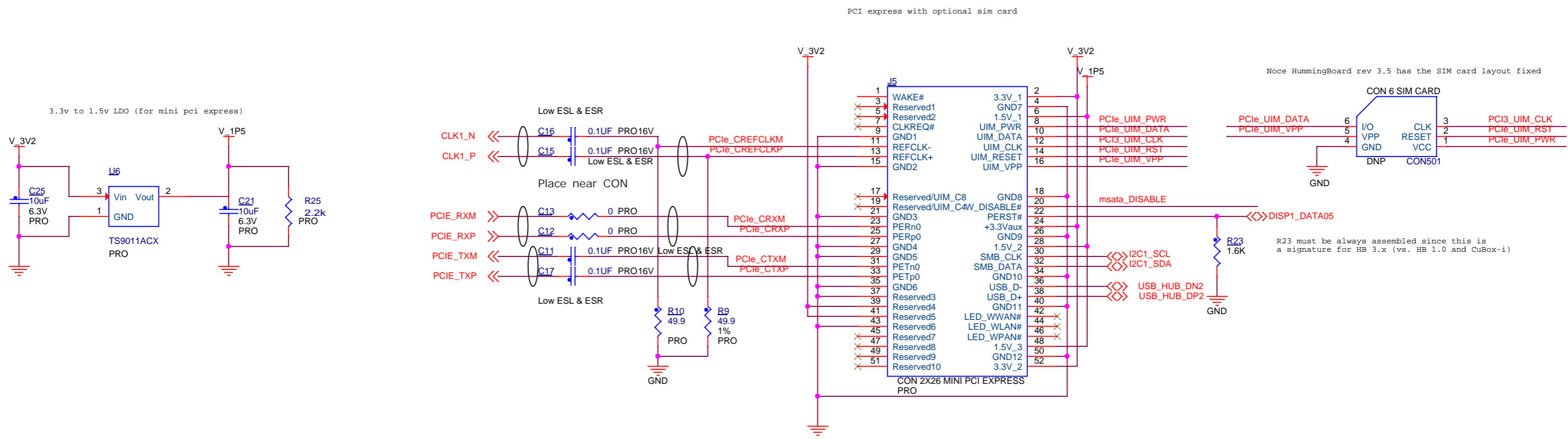
LEDs. Power and Ethernet ACT/Link

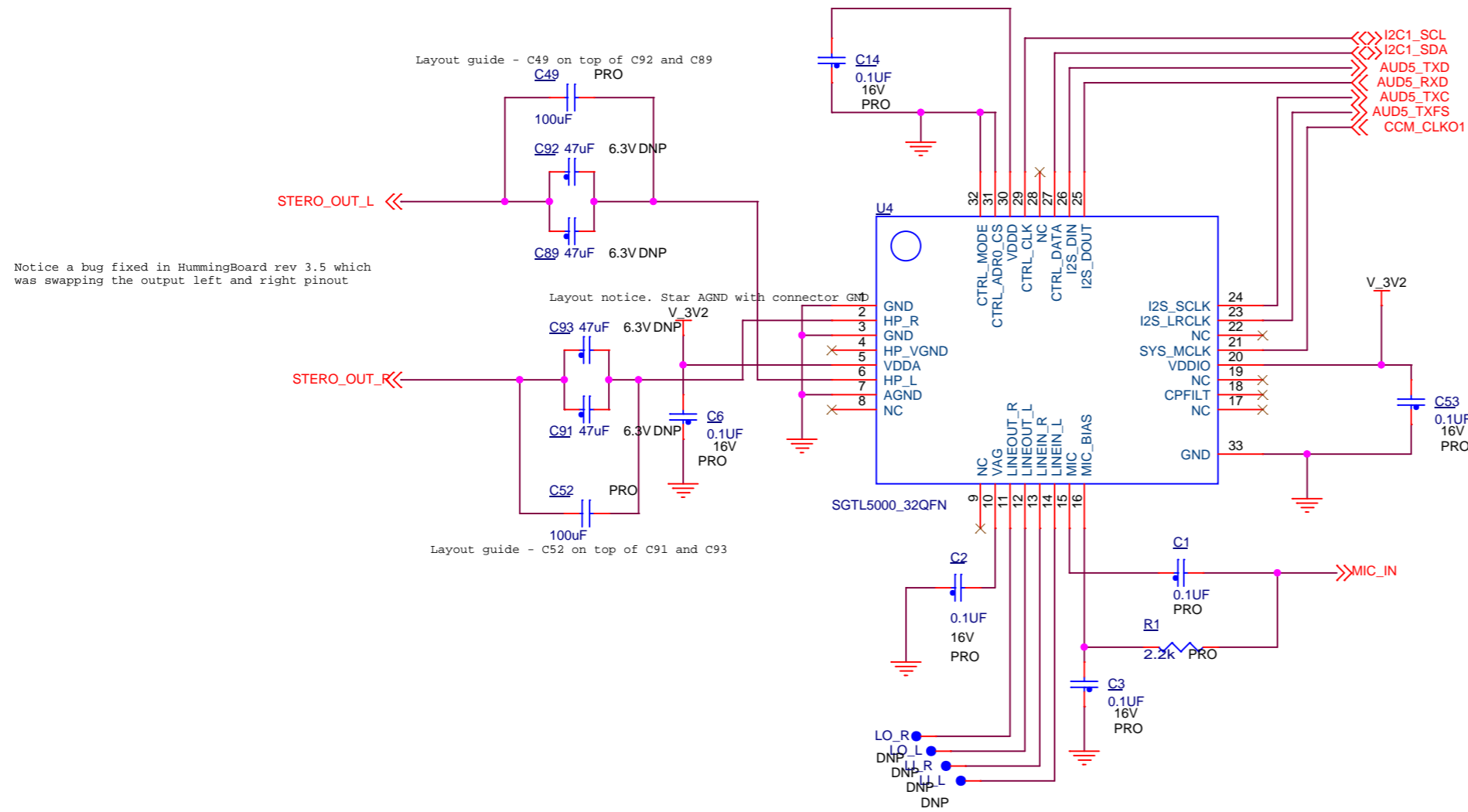


SolidRun Copyright (c) 2014 SolidRun Ltd. Released under Creative Commons Attribution 3.0 Unported License All Rights Reserved

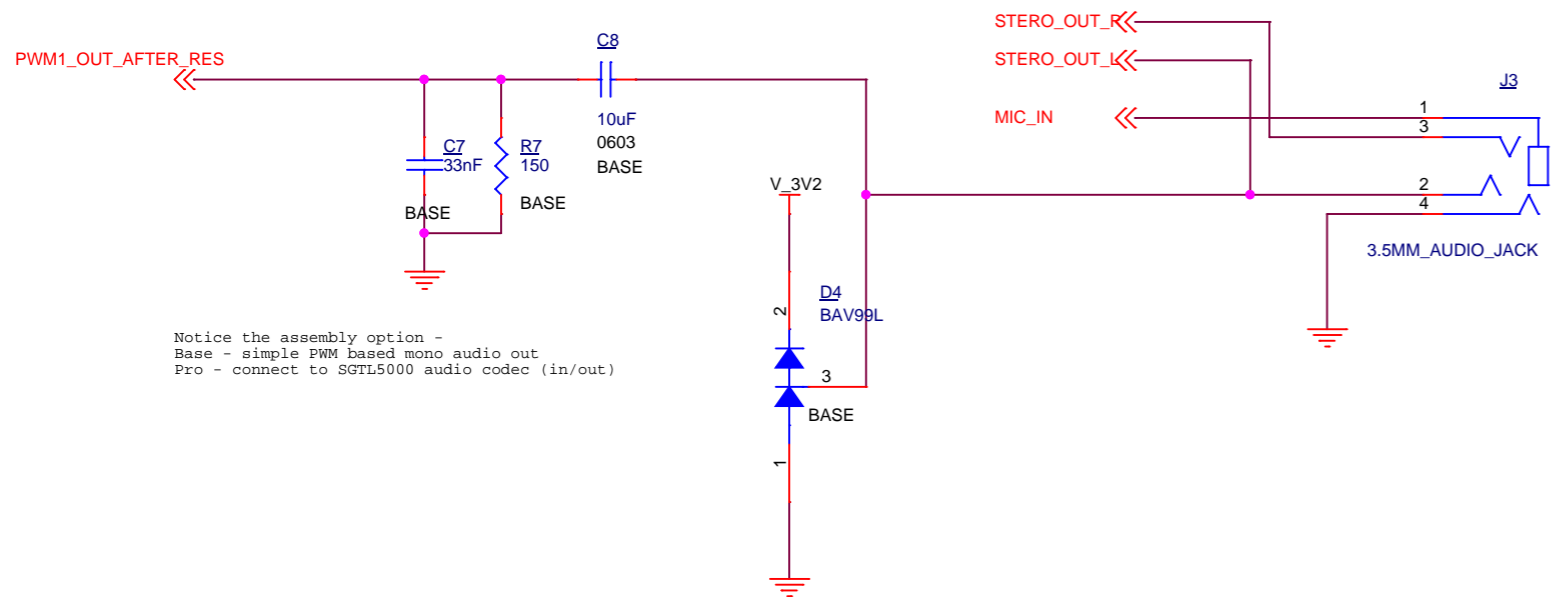
Size	Title	Rev
A3	HummingBoard - 26 pin header, RJ45, uSD, reset and uart level shifter	3.5
Date:	Wednesday, December 03, 2014	Sheet 2 of 6







Audio in/out connector



Notice the assembly option -
 Base - simple PWM based mono audio out
 Pro - connect to SGLT5000 audio codec (in/out)

Coax S/PDIF out

