

# 承认书



## SPECIFICATION FOR APPROVAL Switching power Supply/开关电源

客 户:

CUSTOMER: CV

产品描述:

DESCRIPTION: Input:100~240V AC 50/60Hz Output: 12VDC2.5A

机种型号:

OUR MODEL NO: YNQX30T120250VL

样品编号:

日期:

SAMPLE NO: QX2016000486

DATE: 2016-04-20

产品颜色:

SAMPLE COLOR: Black

White

符合环保项: RoHS

| APPROVAL SIGNATURE/客户确认 |                |                |
|-------------------------|----------------|----------------|
| 核准/APPROVED BY          | 审核/CHECKED BY  | 检测/TESTED BY   |
|                         |                |                |
| Manufacturer/制造商        |                |                |
| 业务/SALES                | 核准/APPROVED BY | 设计/DESIGNED BY |
| Elly                    |                |                |

深圳市齐鑫电子有限公司

SHEN ZHEN QI XIN ELECTRONICS CO.,LTD

地址: 中国广东省深圳市宝安区福永镇重庆路新福工业园 A6 栋 3 楼

Add: Floor3, Buiding A6, Xinfu Industrial Zone, Chongqing Road, Fuyong Town,  
Baoan District, Shenzhen, China.

Tel : 0755-29609342 81443738 Fax: 0755-29776652

<http://www.szstos.com> E-mail: 业务部 [sales01@szstos.com](mailto:sales01@szstos.com) 工程部 [rd@szstos.com](mailto:rd@szstos.com)



深圳市齐鑫电子有限公司  
SHEN ZHEN QI XIN ELECTRONICS CO., LTD

型号/Our model: YNQX30T120250VL

客户/Customer: CV

日期/Date: 2016-04-20

样品编号/SAMPLE No: QX2016000486

| 版本目录/Rev. List |            |                |           |
|----------------|------------|----------------|-----------|
| 版本/Rev.        | 日期/Date    | 描述/Description | 制订/Design |
| A0             | 2016-04-20 | 新版本/New Rev.   | ZLX       |
|                |            |                |           |
|                |            |                |           |
|                |            |                |           |
|                |            |                |           |

### Table of contents

|  |     |
|--|-----|
| 1、描述/DESCRIPTION.....                        | 3   |
| 2、输入特性/INPUT CHARACTERISTICS.....            | 3   |
| 3、输出特性/OUTPUT CHARACTERISTICS.....           | 4-5 |
| 4、保护功能/PROTECTION FUNCTION.....              | 5   |
| 5、环境要求/ENVIRONMENTAL REQUIREMET.....         | 5~6 |
| 6、安全及 EMI 要求/SAFETY AND EMC REQUIREMENT..... | 6   |
| 7、结构参数/MECHANICAL REQUIREMENT.....           | 7   |
| 8、线材/CORD.....                               | 8   |
| 9、铭牌附图/LABEL.....                            | 9   |
| 10、包装说明/PACKING.....                         | 10  |



深圳市齐鑫电子有限公司  
SHEN ZHEN QI XIN ELECTRONICS CO., LTD

型号/Our model: YNQX30T120250VL

客户/Customer: CV

日期/Date: 2016-04-20

样品编号/SAMPLE No: QX2016000486

## 1、描述/ DESCRIPTION:

本规格书适应于 YNQX30T120250VL 型号的开关电源。

The purpose of the document is to specify the functional requirements of a 30W switching power supply.

## 2、输入特性/INPUT CHARACTERISTICS:

### 2.1 输入电压/Input Voltage:

额定电压/Rated Voltage: 100~240Vac

调整范围/Variation Range: 90-264Vac

### 2.2 输入频率/Input Frequency:

额定频率/ Rated Frequency: 50/60Hz.

调整频率/Variation Frequency: 47-63Hz

### 2.3 输入电流/Input Current:

当输入交流电压为额定值的下限电压负载满载时,最大输入交流电流 1A.

0.8Amps max At any input voltage and rated, DC output rated load.

### 2.4 浪涌电流/Inrush Current:

当输出为额定负载,环境温度为 25℃,输入 240Vac 冷态起机时无损坏.

When the output of the rated load, the ambient temperature is 25 °C, input from 240Vac cold machine without damage to

### 2.5 AC 漏电流/Ac Leakage Current:

当输入电压 240Vac 时,最大漏电流为 0.25mA.

0.25mA Max. At 240Vac input.



深圳市齐鑫电子有限公司  
SHEN ZHEN QI XIN ELECTRONICS CO., LTD

型号/Our model: YNQX30T120250VL

客户/Customer: CV

日期/Date: 2016-04-20

样品编号/SAMPLE No: QX2016000486

### 3、输出特性/OUTPUT CHARACTERISTICS:

#### 3.1 输出功率/Power output

| 电压<br>Voltage | 最小负载<br>Min. Load | 额定负载<br>Rated. Load | 峰值功率<br>Peak | 输出功率<br>Output power |
|---------------|-------------------|---------------------|--------------|----------------------|
| 12VDC         | 0.01A             | 2.5A                |              | 30W                  |

#### 3.2 负载特性,调整率/Combined Load/Line Regulation

| 电压<br>Voltage | 最小负载<br>Min. Load | 额定负载<br>Rated. Load | 线性调整<br>Line Regulation | 负载调整率<br>Load Regulation |
|---------------|-------------------|---------------------|-------------------------|--------------------------|
| 12VDC         | 0.01A             | 2.5A                | ±2%                     | ±5%                      |

#### 3.3 纹波和噪音 Ripple and Noise:

测试条件:在输入 115/230Vac 和输出最小及最大负载时,使用示波器带宽为 20MHz 连接到适配器的输出端,同时输出端并联一个 47uF 的电解电容和一个 0.1uF 的瓷片电容.

At 115/230Vac input and output Min and Max.Load, the ripple and noise are as follows when measure with Max.Bandwidth of 20MHz and Parallel 47uF/0.1uF,crossed connected at testing point.

|                |                               |
|----------------|-------------------------------|
| 电压             | 最大纹波/最大噪音                     |
| <u>Voltage</u> | <u>Ripple and Noise(Max.)</u> |
| +12VDC         | 150mV p-p                     |

#### 3.4 启动延迟时间/Turn on delay time:

当输入 115Vac 和输出最大负载时,最大启动时间为 3S.

3Seconds Max.at 115Vac input and output Max.load.

#### 3.5 上升时间/Rise time:

当输入 115Vac 和输出最大负载时最大时间为 40 mS.

40 mS Max.at 115Vac input and output Max load.

#### 3.6 保持时间/Hold up time:

当输入 115Vac 和输出最大负载时,最小保持时间为 5 mS .

5 mS Min.at 115Vac input and output Max.Load.

#### 3.7 效率/Efficiency:

当 115/230Vac 输入电压时, 1/4, 1/2, 3/4 和满载计算平均效率, 最小 86.95%。

86.95% Min, At 115/230Vac input voltage,1/4, 1/2, 3/4 and full load calculation average efficiency.

适配器满足能效 VI。

Adapter meet efficiency lever VI.



深圳市齐鑫电子有限公司  
SHEN ZHEN QI XIN ELECTRONICS CO., LTD

型号/Our model: YNQX30T120250VL

客户/Customer: CV

日期/Date: 2016-04-20

样品编号/SAMPLE No: QX2016000486

### 3.8 过冲/Overshoot:

在电源开启或关闭的时候,最大 15%.

15% Max. When power supply at turn off/on.

## 4、保护功能/PROTECTION FUNCTION:

### 4.1 短路测试/Short circuit test:

该电源供给器在短路解除时能正常工作恢复.

The power supply will be auto recovered when short circuit faults remove.

### 4.2 过流保护/Over current Protection:

过流故障排除后,电源将自动恢复正常工作.

The power supply will be auto recovered when over current faults remove.

## 5、环境要求/ENVIRONMENTAL REQUIREMET:

### 5.1 工作温度/Operating Temperature:

0°C-40°C,满载,正常工作.

0°C to 40°C, Full load, Normal operation.

### 5.2 储藏温度/Storage Temperature:-20°C to 80°C

带外壳/With package

### 5.3 工作湿度/Relative Humidity:

5%(0°C)~90%(40°C),72 小时,满载,正常工作.

5%(0°C)~90%(40°C)RH,72Hrs, Full load, Normal operating.

### 5.4 振动/Vibration:

#### 1. 测试标准:国际电工电子委员会

Operating: IEC 721-3-3 3M3

5~9Hz, A=1.5mm

加速度(9~200Hz, Acceleration 5m/S<sup>2</sup>)

#### 2. 运输/Transportation:

IEC 721-3-2 2M2

5~9Hz, A=3.5mm

9~200Hz, 加速度 Acceleration=5m/S<sup>2</sup>

200~500Hz, 加速度 Acceleration=15m/S<sup>2</sup>



深圳市齐鑫电子有限公司  
SHEN ZHEN QI XIN ELECTRONICS CO., LTD

型号/Our model: YNQX30T120250VL

客户/Customer: CV

日期/Date: 2016-04-20

样品编号/SAMPLE No: QX2016000486

**3. 轴向振动/Axes, 10 cycles per axis.**

在测试过程中不能出现永久性的损坏.

No permanent damage may occur during testing.

在电源开启和关闭后,样机能够恢复到最初条件.

The SAMPLE has to restore to its original situation after power off/on..

**5.5 跌落试验/Dropping Packed:**

跌落高度为 760mm;

Drop height is 760mm.

测试台面是厚 13mm 的夹木板, 离地面高 19-20mm

The horizontal surface consists of hardwood at least 13mm thick, mounted on two layers of plywood each 19mm to 20mm thick, all supported on a concrete or equivalent non-resilient floor.

**6、安全及 EMI 要求/SAFETY AND EMI REQUIREMENT:**

**6.1 安全: 符合标准 EN 60950**

Safety: accord with EN 60950

**6.2 高压/DIELECTRIC STRENGTH Hi-Pot:**

初级对次级/Primary to secondary: 4242Vdc/5mA/60S for type test.

**6.3 绝缘阻抗/Insulation resistance:**

初级对次级/Primary to secondary: 20M  $\Omega$  min at 500V DC.

**6.4 EMI 标准/EMI STANDARD**

Meets the Limits of/测试符合

<1>.Fcc part15 class B rules

<2>.EN55022 class B rules



深圳市齐鑫电子有限公司  
SHEN ZHEN QI XIN ELECTRONICS CO., LTD

型号/Our model: YNQX30T120250VL

客户/Customer: CV

日期/Date: 2016-04-20

样品编号/SAMPLE No: QX2016000486

## 7、 结构参数/MECHANICAL REQUIREMENT:

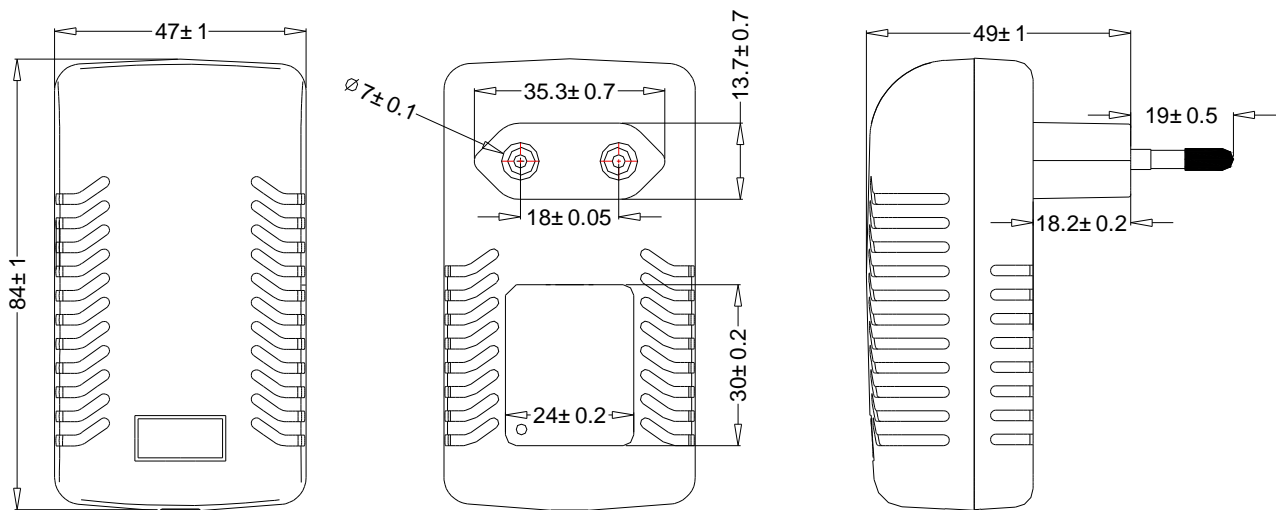
### 7.1 外壳/Enclosure:

外壳尺寸: L84 x W47 x H49mm;

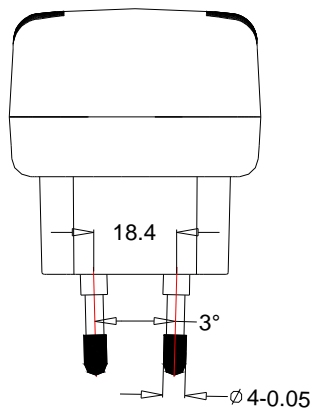
The power supply size: L84 x W47 x H49mm

### 7.2 输入线/Input Connector:

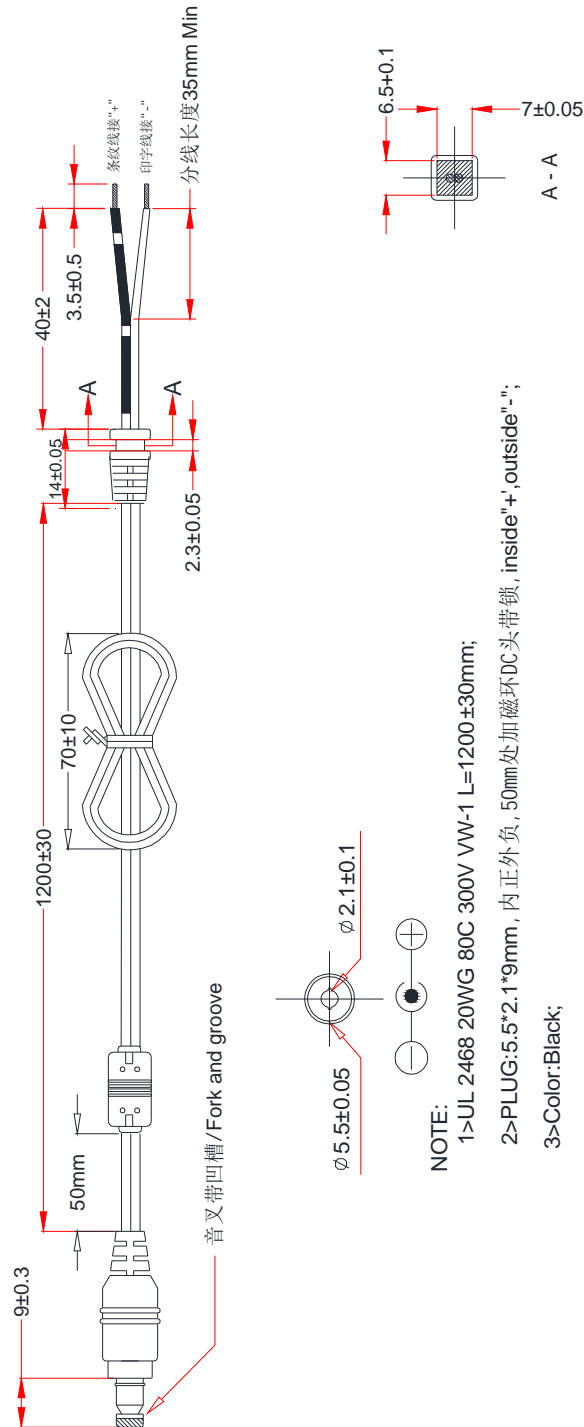
2Pin VL 插脚/Two pin input plug of VL.



Case material: PC



8、线材/CORD:







深圳市齐鑫电子有限公司  
SHEN ZHEN QI XIN ELECTRONICS CO., LTD

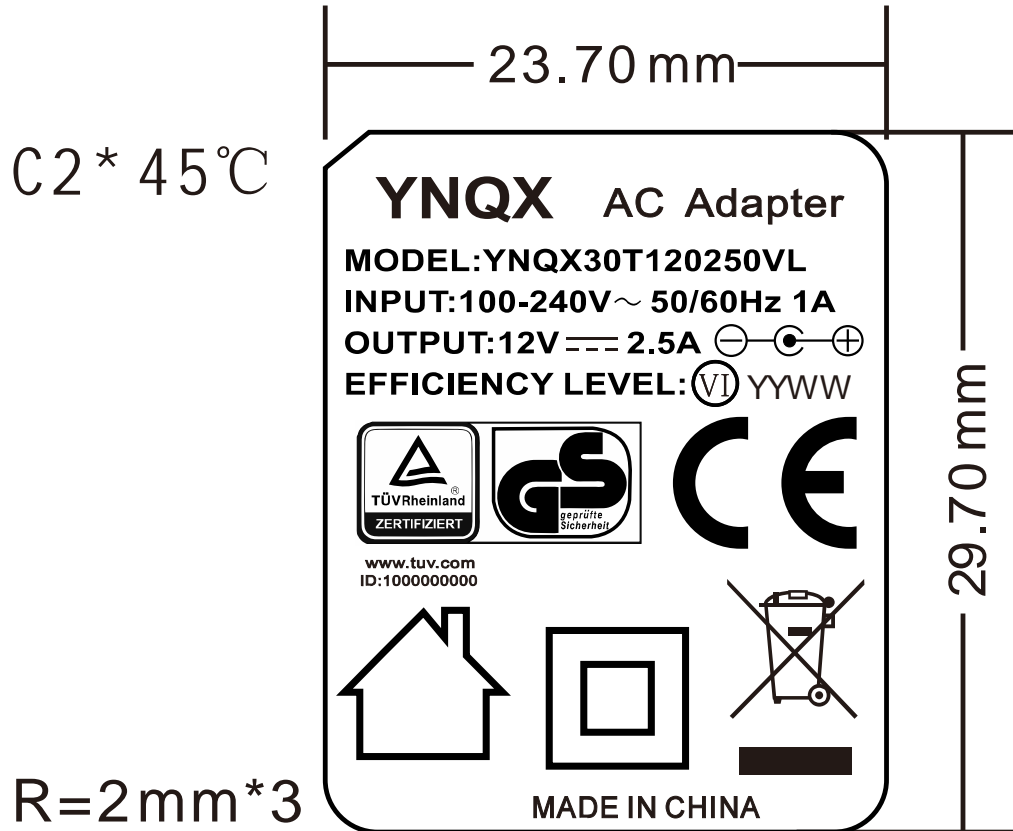
型号/Our model: YNQX30T120250VL

客户/Customer: CV

日期/Date: 2016-04-20

样品编号/SAMPLE No: QX2016000486

9、铭牌/LABEL:



NOTES:

- 1.颜色/Color: 黑底白字/ Black ground white
- 2.材质/Material: PET+雾面/fog surface
- 3.厚度/Thickness: 0.25mm
- 4.误差/Tolerance: +0/-0.2mm
- 5.环保/RoHS
- 6.YYWW, YY 表示年份, WW 表示周数



深圳市齐鑫电子有限公司  
SHEN ZHEN QI XIN ELECTRONICS CO., LTD

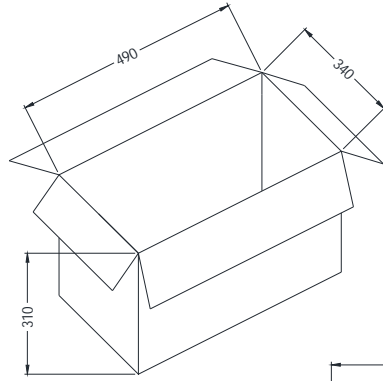
型号/Our model: YNQX30T120250VL

客户/Customer: CV

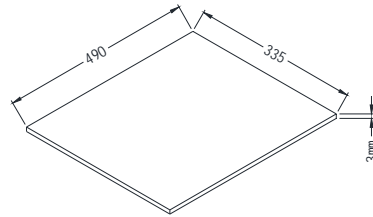
日期/Date: 2016-04-20

样品编号/SAMPLE No: QX2016000486

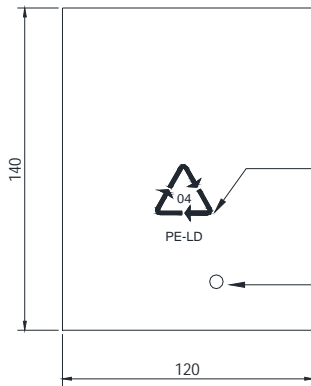
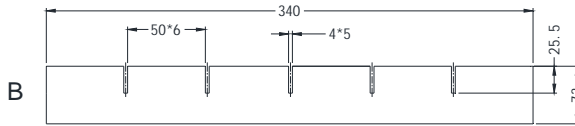
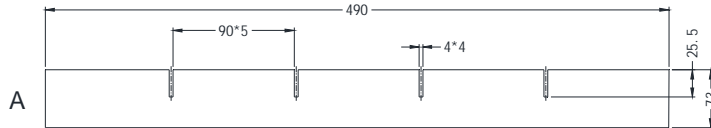
10、包装说明/PACKING:



外箱/Outside box



平板/Slab



绿色字体/  
Green lettering

透气孔  
Breathe freely os

包材/Packaging:

A:L490\*73mm

B:340\*73mm

外箱内径/Outside box:L490\*W340\*H310mm

平板/Slab:L490\*W335\*3mmT

胶袋/Pe bag:L140\*W120\*0.03mmT

数量/Quantity:120PCS/CTN